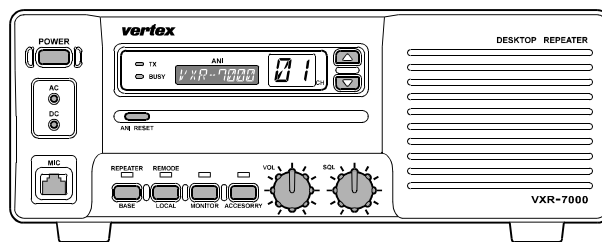


 **Vertex Standard**

VXR-7000

Operating Manual



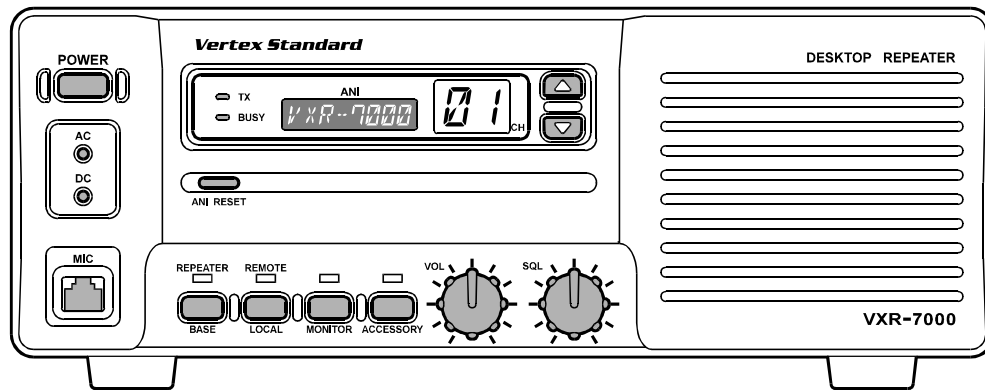
Vertex Standard LMR, Inc.

4-8-8 Nakameguro, Meguro-Ku, Tokyo 153-8644, Japan

English

Contents

Introduction	1
Controls & Connectors	2
Front Panel	2
Rear Panel	3
ACC Connector Port	4
LINE Interface Port.....	6
Installation	7
Antenna Considerations	7
AC Power Supply Voltage Selection	7
DC Power Supply Backup	7
Equipment Location	7
Changing Switching Regulator unit AC Mains Jumper Wiring	8
CE27 Programming Software Instruction	10
Channel Data Items	11
Duplexer Installation	14
Specifications	16
Accessories	17



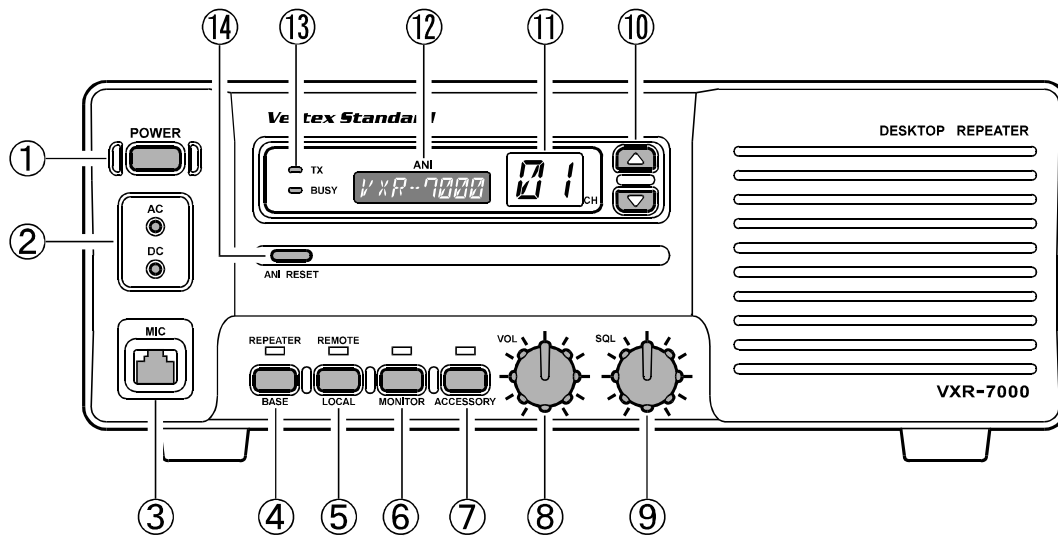
The VXR-7000 is commercial quality 50-watt FM repeater designed to provide reliable, continuous-duty two-way communications over a wide range of environmental conditions.

Designed to be a stylish base station, with high-grade components utilized throughout, the VXR-7000 utilizes the latest computer-aided design and manufacturing processes to ensure a high level of reliability for users. Important channel frequency data is stored in EEPROM, and is easily programmable by a Servicing Technician or Dealer using an IBM compatible personal computer and the FIF-10A+CT-104A (or FIF-12+CT-171) USB Programming Interface and CE27 Software.

Please take a few minutes to read this manual carefully. The information presented here will allow you to derive maximum performance from your VXR-7000. After reading it, keep this manual handy for quick reference, in case questions arise later on.

Important Note: Internal service work, programming, and accessory installations should only be performed by your authorized Vertex Standard Dealer. Dangerous conditions and/or possibly illegal operation may result from improper setup, programming, or internal modifications.

Front Panel



① POWER Switch

This is the main power switch for the repeater.

② LED Indicators

AC: This LED glows green during AC operation.

DC: This LED glows yellow during DC operation.

③ MIC Jack

This 8-pin modular jack accepts the microphone input, and provides a standby control line to activate the transmitter when using the "BASE" mode of operation. This jack also provides a "Hook" control line, as well as a "Clone Data" line.

④ BASE/REPEATER Switch

This switch toggles the operating mode between the "REPEATER" mode and the "BASE" transceiver mode. When the "REPEATER" mode is selected, the LED above it glows green. While in the "BASE" mode (the green LED is off), you can speak into the microphone to use it as a transceiver. For normal repeater operation, set this switch to the "REPEATER" mode.

⑤ LOCAL/REMOTE Switch

This switch toggles the control mode between the "REMOTE" mode and "LOCAL" mode. When the "LOCAL" mode is selected, the LED above it is off, and the repeater operates according to the control data programmed into the repeater. While in the "REMOTE" mode, the LED glows green, and the repeater operates according to the control instructions received from an external device (connected to the **ACC** jack on the rear panel).

⑥ MONITOR Switch

This switch selects the "Squelch" (receiver mute) mode. When the green LED above it is off, "Tone" or "Coded" squelch is active. When you press this switch *momentarily*, the green LED will glow steadily; in this condition, only "noise squelch" is active, and any signal present on the channel will be heard. If you *press and hold* this switch for more than 2 second, the green LED will blink and the squelch will open; in this condition, background noise will be heard if no signal is present.

⑦ ACCESSORY Switch

This switch can be set up for special applications, such as High/Low power selection, as determined by your Vertex Standard dealer. The LED above it glows green when this function is activated. For further details, contact your Vertex Standard dealer.

⑧ VOL Knob

This control knob adjusts the receiver volume level from the front panel speaker. If desired, this control knob may be set fully counterclockwise when repeater monitoring is not needed.

⑨ SQL Knob

This control knob selects the noise squelch threshold level. Set it to a position just above the point where the BUSY lamp goes out when no signal is present.

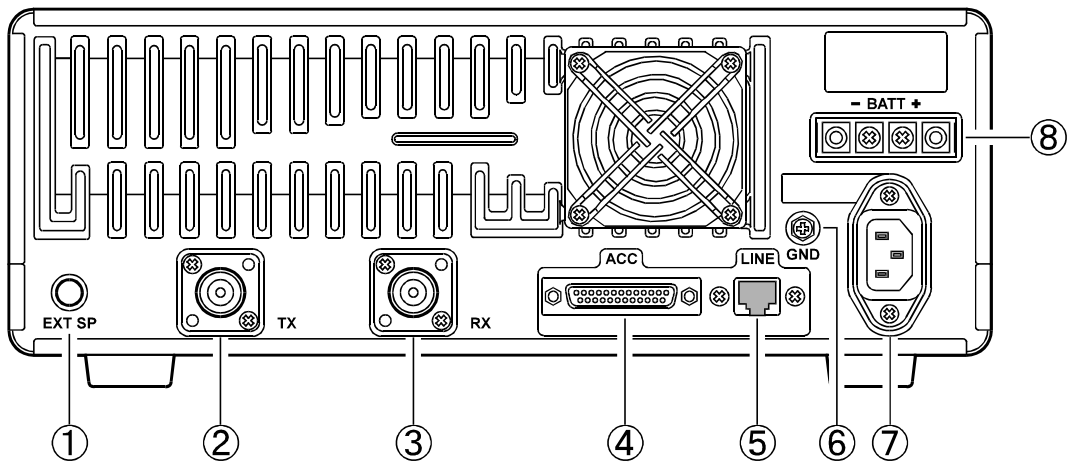
⑩ Channel Selector Buttons (▲ and ▼)

Press one of these buttons to select the operating channel.

- ⑪ **Channel Indicator**
This seven-segment LED indicates the operating channel number.
- ⑫ **ANI Display**
The ANI LCD (Liquid Crystal Display) indicates the pre-programmed ANI message according to the ANI code received.
- ⑬ **TX/BUSY Indicator**
The **BUSY** indicator glows green when the channel is busy, and the **TX** indicator glows red when the repeater is transmitting.

- ⑭ **ANI RESET Button**
 - (1) ANI
Press this button to clear the message on the ANI display, and turn off the LCD backlight.
 - (2) ENI
Press this button to turn off the Alert tone. Press this button again to clear the message on the ANI display, and turn off the LCD backlight.

Rear Panel



- ① **EXT SP Jack**
This 3.5-mm, 2-pin jack provides variable audio output for an external speaker. The audio output impedance at this jack is $4\ \Omega \sim 16\ \Omega$, and level varies according to the setting of the front panel's **VOL** control.
- ② **TX Antenna Jack**
This N-type coaxial jack provides the transmitting output signal for connection to the transmitting antenna or TX jack on the duplexer, if used. The output impedance requirement is $50\ \Omega$.
- ③ **RX Antenna Jack**
This N-type coaxial jack accepts the receiver input signal from the receiving antenna or RX jack on the duplexer, if used. The input impedance requirement is $50\ \Omega$.
- ④ **ACC Jack**
This DB-25 connector provides a data interface between the microprocessor in the VXR-7000 and peripheral devices (such as the VX-TRUNK Unit).
- ⑤ **LINE Jack**
This 8-pin modular jack is used for remote control. It provides TX and RX audio, TX keying, and squelch status output. The TX and RX audio impedance is $600\ \Omega$.
- ⑥ **GND Terminal**
For best performance and safety, the GND terminal should be connected to a good earth ground using a short, heavy, braided cable.
- ⑦ **AC Jack**
This receptacle accepts the AC power cord, which should be connected to the AC mains supply or wall outlet. The AC line voltage must match that for which the repeater is wired.
- ⑧ **BATT Terminal**
These terminal posts accept 12~15 VDC for operating the repeater from a battery or other DC source. When operating from AC mains, a small trickle current is present at these terminals to maintain battery charge. A battery rated for 12 volts, 55 Ah (minimum) is recommended for short-term emergency/backup operation.
Never short-circuit these terminal while operating from AC mains.

ACC Connector Port

The VXR-7000 repeater is provided with a 25-pin DB-25F female connector for interconnections to accessories. Use a DB-25M 25-pin male connector to connect accessories to the repeater. The pins on the accessory connector are explained in detail as follows:

Pin 1: GND

Chassis ground for all logic levels and power supply return.

Pin 2: +13.8 V [Power Supply]

This pin provides 13.8 Volts, 1.0 A, regulated DC from the repeater supply. Use a 1 A fuse in the external device's DC line to prevent damage to the repeater.

Pin 3: TX AF IN [Analog Transmitter Input]

(Voice Band: 300 ~ 3,000 Hz)

Input impedance is approx. 600 Ω. This audio is injected before the splatter filter stage, so excess signal input levels are clipped.

Use shielded cable to connect to this pin, and connect the shield to **GND**.

Pin 4: TONE IN [Transmitter Input]

(Sub-audible Band: 6 ~ 250 Hz)

The input is high impedance (approx. 22 kΩ). Injecting too high a voltage here causes over-deviation of CTCSS or DCS, degrading performance. Use shielded cable to connect to this pin, connecting the shield to **GND**.

Pin 5: N.C. (No connection.)

Pin 6: DISC OUT [Analog Output]

(Wide-Band: 0 ~ 3,000 Hz)

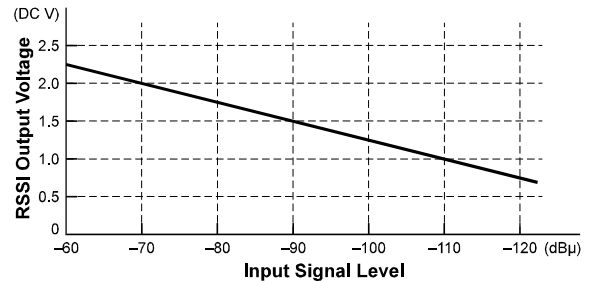
Received signals with standard deviation produce approx. 1 V_{P-P} audio at this pin. The output impedance is approx. 600 Ω, and is extracted before the de-emphasis and squelch circuitry. Use shielded cable to connect to this pin, and connect the shield to **GND**.

Pin 7: GND

Chassis ground for all logic levels and power supply return.

Pin 8: RSSI [Analog Output]

A DC voltage proportional to the strength of the signal currently being received (**Receiver Signal Strength Indicator**) is provided on this pin. This low impedance output is generated by the receiver IF sub-system and buffered by an internal op-amp. Typical voltages are graphed as follows:



Pin 9: COAX. SW [Logic Output (Active Low)]

This output is intended for controlling an external coaxial switching relay. It is an open collector output which can sink approx. 10 mA when active. This signal only switches if the repeater has been programmed for "SIMPLEX" mode. If programmed for "DUPLEX," the signal remains open (high impedance) at all time.

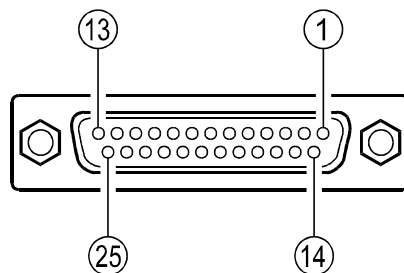
Pin 10: N.C. (No connection.)

Pin 11: NSQ DET

This is an open-collector, active-low output capable of sinking about 10 mA. It indicates that the receiver squelch is open. If the squelch control is properly set, this indicates a carrier on the receiver channel.

Pin 12: EXT PTT

This input is internally pulled up to 5 VDC. When pulled low by an external device, it keys the repeater transmitter while the repeater is operating in the "BASE" mode. Avoid voltage in excess of 5 V on this pin, or internal damage to the microprocessor on the repeater CNTL Unit may result.



**ACC Jack
DB-25 Pin Numbering**

Pin 13: GND

Chassis ground for all logic levels and power supply return.

Pin 14: GND

Chassis ground for all logic levels and power supply return.

Pin 15: N.C. (No connection.)

Pin 16, 17, 18, & 19: REMOTE CH DATA

[Logic Inputs D3, D2, D1, and D0] (*Active Low*)

These inputs are internally pulled up to 5-V DC. When pulled low by an external device, they select one of the 16 pre-programmed repeater operating channels. The logic truth table below shows the combinations for selecting all 16 channels.

In the truth table, "1" represents no connection, and "0" represents a ground connection on the pin.

The channel selection logic is not inhibited while the transmitter is keyed: the repeater will change frequency when instructed, even while transmitting. Avoid voltage in excess of 5 V on these pins or internal damage to the microprocessor on the repeater CNTL Unit may result.

Channel	Pin 16 (D3)	Pin 17 (D2)	Pin 18 (D1)	Pin 19 (D0)
1	1	1	1	1
2	1	1	1	0
3	1	1	0	1
4	1	1	0	0
5	1	0	1	1
6	1	0	1	0
7	1	0	0	1
8	1	0	0	0
9	0	1	1	1
10	0	1	1	0
11	0	1	0	1
12	0	1	0	0
13	0	0	1	1
14	0	0	1	0
15	0	0	0	1
16	0	0	0	0

Pin 20: GND

Chassis ground for all logic levels and power supply return.

Pin 21: A-OUTPUT [Logic Output] (*Active Low*)

This open collector logic output is pulled low when the front panel's **ACCESSORY** key is turned on. It can sink approx. 10 mA when active.

Pin 22: RXD LOW

[Digital Output for DATA Communications]
(300 ~ 3,000 Hz)

This pin is an output for low speed receiving data signals, with the data being extracted after the de-emphasis and low pass filter stages.

Pin 23: RXD HI

[Digital Output for DATA Communications]

This pin is an output for high speed receiving data signals, with the data being extracted immediately after the discriminator prior to any de-emphasis).

Pin 24: TXD LOW

[Digital Input for DATA Communications]
(300 ~ 3,000 Hz)

This pin is intended to be used as a low speed digital data signal input to the repeater. This digital data signal is injected before transmitter pre-emphasis and limiting stage, so excess signal input levels are clipped.

Pin 25: TXD HI

[Digital Input for the DATA Communications]

This pin is intended to be used as a high speed digital data signal input to the repeater. This digital data signal is injected after transmitter splatter filter stage.

LINE Interface Port

The VXR-7000 is provided with an 8-pin modular jack for line interfacing applications. A Western Electric® modular-type RJ45 plug should be used to connect to this jack. The **LINE** jack pin-out is shown below.

Note that there are both 4-line and 8-line types of modular plugs. If a 4-line modular plug is used, only the **LINE OUT** and **LINE IN** connections will be made. An 8-line plug is required to access all lines. In accordance with standard telecommunications interface, the line connections on the **LINE** interface jack are impedance balanced, and are described as follows.

Pins 1 & 2: [**RX SQ(+)**, **RX SQ(-)**]

An opto-isolator is provided to facilitate E (EAR) signaling. The opto-isolator comes on when a signal exceeding the receiver squelch appears on the receiver channel (with correct CTCSS tone or DCS code, if enabled). The RX SQ(-) pin is the emitter, and RX SQ(+) is the collector.

Maximum Voltage: 20 V, Maximum Current: 7 mA.

Pins 3 & 4: [**LINE IN** (*Tx Line Audio*)]

Analog signals between 300 and 3000 Hz supplied to this pair are fed to the transmitter when the repeater is set to the BASE mode (the **REPEATER** LED is turned off) and keyed either by the TX KEY input signal (see below), or by the EXT PTT signal on pin 12 of the rear panel's **ACC** jack. Standard deviation is obtained with a line level of -10 dBm.

Pins 5 & 6: [**LINE OUT** (*Rx Line Audio*)]

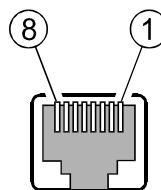
Receiver audio is available from this pair, subject to internal CTCSS or DCS decode if the received signal strength is above the squelch threshold.

As shipped from the factory, a 1-kHz receiver signal with standard deviation gives -10 dBm on the line, but this can be varied by **VR4002** and **S4001** (on the repeater's CNTL Unit).

Pins 7 & 8 [TX KEY(+), TX KEY(-)]

An opto-isolator is provided to facilitate M (MIC) signaling. That is, a voltage presented to these pins turns on the opto-isolator and keys the transmitter. The TX KEY(+) pin is the anode of the opto-isolator, and RX SQ(-) is the cathode of the opto-isolator.

Maximum Voltage: 20 V, Maximum Current: 4 mA.



**LINE Jack
Modular Jack Pin Numbering**

Antenna Considerations

Repeater operation without a duplexer requires that two antennas be installed, one for receiving and one for transmitting, so that the receiving antenna does not absorb energy from the transmitting antenna. There are a number of ways to do this, depending on the TX/RX frequency separation, and on the locations available for antenna mounting. If a duplexer is used, a single antenna suffices for both transmitting and receiving. If using a reduced-size duplexer, a six-cavity model (minimum) is recommended. Vertex Standard recommends the use of the duplexer. For further details, contact your Vertex Standard dealer.

Regardless of the above choice, it is of paramount importance that the antenna(s) be mounted as high and in the clear as possible, preferably within line-of-sight to all repeater users. Furthermore, losses in the feedline(s) must be minimized, so the feedline(s) should be high quality, and as short as possible. If a long feedline is necessary, use coaxial "hardline" cable to reduce losses.

Repeater antennas should have an impedance of 50 Ω at the operating frequency. When separate receive and transmit antennas are used, high-Q narrow-band types may serve to minimize interaction. However, when a single antenna is used with a duplexer, it should be a low-Q wide-band type.

NEVER TRANSMIT WITHOUT HAVING A TRANSMIT ANTENNA CONNECTED TO THE TX ANTENNA JACK OF THE REPEATER.

AC Power Supply Voltage Selection

Each repeater is wired for a particular AC mains voltage between 100 and 253 VAC. This should be indicated by a label near the AC jack on the rear panel. If no label is present, or if the AC voltage on the label is different from the local AC line, check the wiring inside the Switching Regulator Unit of the repeater, and change the connections (and label) if necessary, as shown next page.

Changing the AC input voltage wiring also requires changing the fuse on the FILTER Unit if the voltage is changed from 100 VAC (100-127 VAC) to 200 VAC (207-253 VAC), or vice-versa. Use a 5-amp fuse for 100 VAC, or a 3-amp fuse for the 200 VAC.

DC Power Supply Backup

For uninterrupted operation during power failures, a 12 volt rechargeable type battery (55-Ah or more recommended) may be connected to the **BATT** terminal posts on the rear panel. While the repeater is operating from the AC source, a slight charging current will maintain battery charge. In the event of an AC power outage, the automatic power control circuit will automatically switch the repeater to the backup battery, and operation will not be interrupted.

After prolonged operation from the battery, it should be disconnected from the repeater and recharged separately before re-connecting, as the trickle charge is not sufficient for recharging a completely discharged battery.

Never reapply AC power to the repeater with a discharged battery connected, as the DC startup current can damage the repeater and battery.

While operating from a battery or DC supply, the repeater requires approximately 7 amperes at 12 Volts during transmit.

Equipment Location

While the operating temperature range of the repeater is quite broad, the best location is one in which the air temperature does not approach the extremes of the specified range, and one that does not change rapidly. Make sure to allow for free air flow around the heatsink on the rear apron at all times. In warm climates, the repeater should not be sealed in a small closed room.

Protect the repeater from wind and rain, and extremes in temperature or humidity that may shorten the useful life of the equipment. Try to locate the repeater in an environment that is also comfortable for service personnel, if possible.

Installation

Changing Switching Regulator unit AC Mains Jumper Wiring
Before attempting this jumper wire change, remove the AC power cord from the AC jack on the rear panel.

- ❑ Referring to Figure 1, remove the 14 screws affixing the top and bottom covers of the repeater, and remove the covers.
- ❑ Remove the eight screws affixing the shield cover for the FILTER Unit, and remove the cover (see Figure 1).
- ❑ Disconnect all wires and connectors from the FILTER Unit, then remove the six screws affixing the Switching Regulator Unit, and remove it (the Switching Regulator Unit is mounted with the FILTER Unit: Figure 2).
- ❑ Referring to Figure 3, remove the four screws and remove the heatsink from the Switching Regulator Unit.

- ❑ Referring to Figure 4, perform the correct jumper wiring on the Switching Regulator Unit for the AC Mains voltage used in your area (100-127 VAC or 207-253 VAC).
- ❑ Replace the heatsink onto the Switching Regulator Unit, then replace the Switching Regulator Unit onto the chassis, and connect all wires and connectors to the FILTER Unit.
- ❑ Replace the AC fuse (**FH6001**) on the FILTER Unit according to the AC Mains voltage range:
 - 100 VAC (100-127 VAC): 5A
 - 200 VAC (207-253 VAC): 3A.
- ❑ Replace the shield cover and replace the top and bottom covers. This completes the wiring change.

Important!: If you change the AC voltage range, you must also change the AC fuse on the FILTER Unit. Do not replace with a slow-blow type fuse.

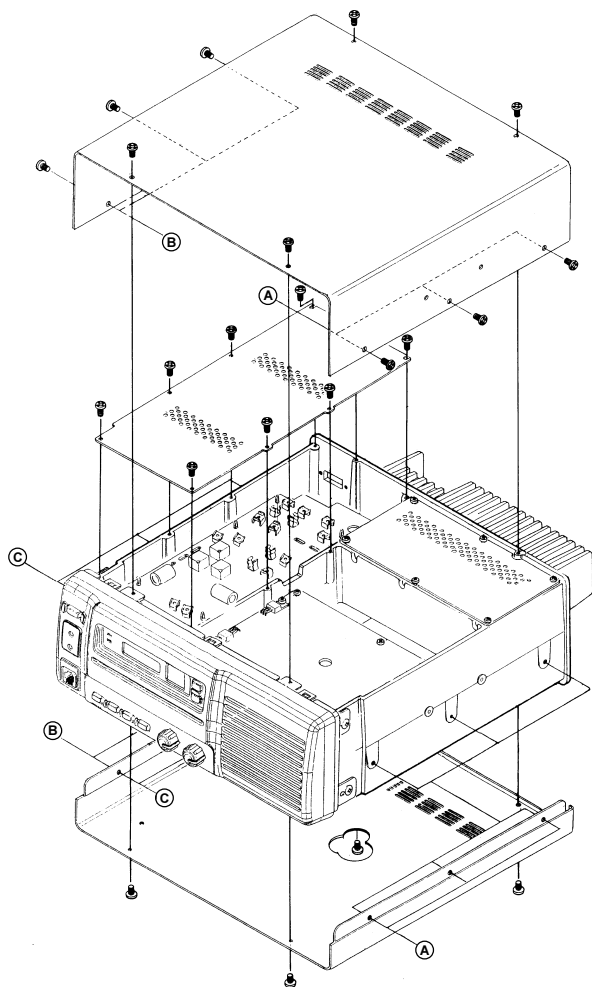


Figure 1

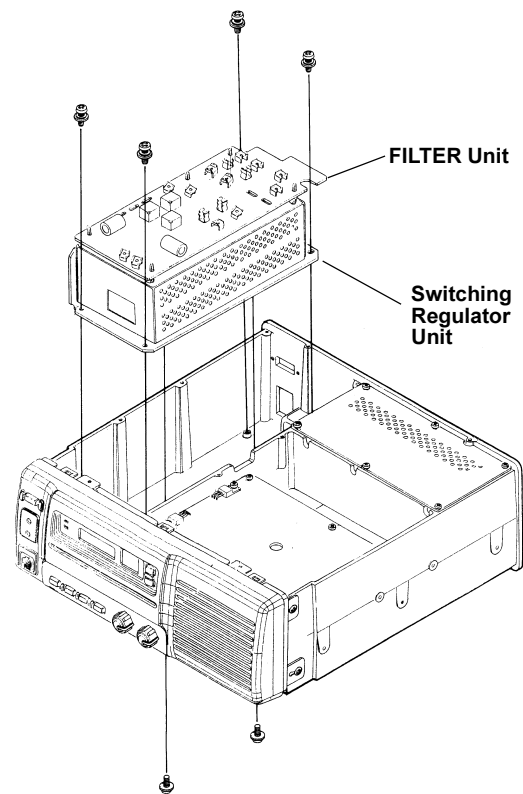


Figure 2

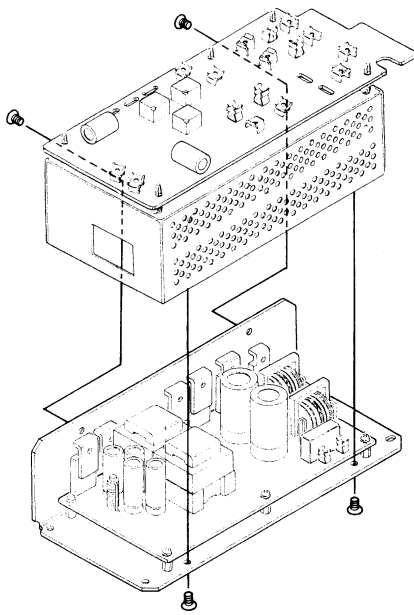


Figure 3

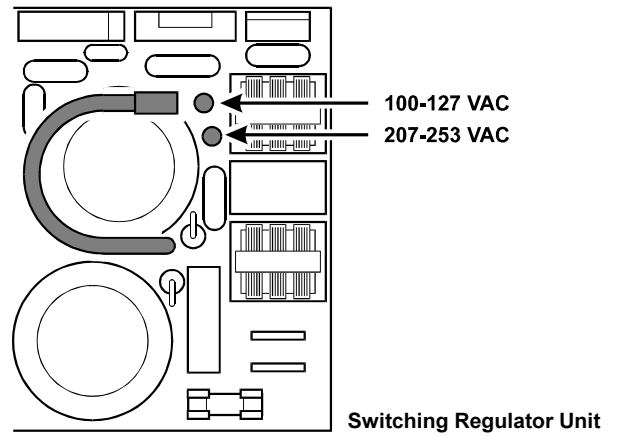


Figure 4

CE27 Programming Software Instruction

With the CE27 Programming Software, you can quickly and easily program the Vertex Standard VXR-7000 repeater's channels and configuration from your personal computer. Channel data programming format is identical for VHF and UHF repeaters. In the event of an accidental memory failure, repeater memory and configuration data may be re-loaded in a matter of minutes.

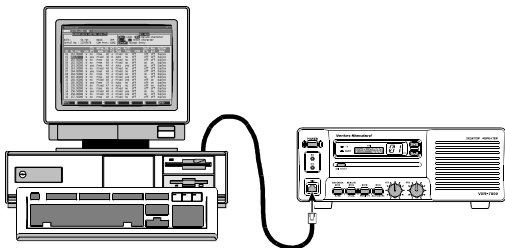
The CE27 Programming Software diskette contains the following files:

- CE27.EXE
- CE27.HLP

Before connecting the VXR-7000 for programming, turn off both the computer and the VXR-7000. Now connect the FIF-10A+CT-104A (or FIF-12+CT-171) USB Programming Interface to the computer's USB port and the VXR-7000's MIC jack.

Then it will be safe to restart the computer; turning off the equipment during interconnection avoids the potential for damage to the electronics caused by voltage spikes.

Insert the distribution diskette into your 3½" drive (after booting DOS), and make a copy of the diskette; use the distribution diskette for archive purposes, and use the disk copy for programming.



VXR-7000 Programming Setup

Place the CE27 (copy) diskette into your 3½" drive (usually "Drive A"), and log onto this drive by typing "A: [ENTER]", then load the contents of the CE27 diskette into a directory named CE27, using the COPY command (e.g. "COPY A:*. * C:\CE27").

Now type "CE27 [ENTER]" to start the program. The introductory screen will appear, and you may press any key to enter the main screen.

Choose the "Help" contents option (F1) from the program's Menu for assistance with channel programming or setting of parameters.

Important Note!

- Do not run the CE27 programming software directly from the original distribution diskette. Copy the programming software to your computer's hard disk, then run the software from the hard disk only. Keep the original distribution diskette in a safe place in case you need to make another copy of it at a later date.
- Before creating the programming data for your VXR-7000 via the CE27 programming software, upload the current factory hardware environment data from the VXR-7000, using the [F5] (ReadRom) command. Use this data profile to create the programming data for this repeater.

EEPROM DATA EDITOR <CE-27>														KEY HELP	
Edit:		noname.rpt		Band:		VHF		0..9 Input Frequency							
Serial No.:		12345678		COM Port:		COM1		[.] Enter 100kHz Digit...							
Ch	Rx Freq.	CTCSS	Decoders DCS	W/N	Clk Sft	Mode	NSQ Lv	Court Blip	Rev Bst	DCS Typ	DDec Type	Multi Tone	CWID ANI/ENI		
01	161.00000	88.5	off	W	no	Prpgrm	...	off	off	A	Fixed	no	off		
02	161.05000	100.0	off	W	no	Prpgrm	...	off	off	A	Fixed	no	off		
03	161.01000	off	023	W	no	Prpgrm	...	on	off	A	Fixed	no	off		
04	161.01500	off	155	W	yes	Prpgrm	...	off	off	A	Fixed	no	off		
05	161.02000	off	155	W	no	Prpgrm	...	off	off	B	Fixed	no	off		
06	161.02500	88.5	off	W	no	Prpgrm	...	off	off	A	Fixed	no	off		
07	161.03000	114.8	off	W	no	Prpgrm	...	on	on	A	Fixed	no	off		
08	161.03500	off	351	W	no	Prpgrm	...	off	off	A	Fixed	no	off		
09	161.04000	off	506	W	no	Prpgrm	...	off	off	A	Fixed	no	off		
10	161.04500	off	off	W	no	Prpgrm	...	off	off	A	Fixed	no	off		
11	161.05000	100.0	off	W	no	Prpgrm	...	on	on	A	Fixed	no	off		
12	161.05500	88.5	off	W	no	Prpgrm	...	off	off	A	Fixed	no	off		
13	161.06000	103.5	off	W	no	Prpgrm	...	off	off	A	Fixed	no	off		
14	161.06500	off	off	W	yes	Prpgrm	...	off	off	A	Fixed	no	off		
15	161.07000	79.7	off	W	no	Prpgrm	...	on	off	A	Fixed	no	off		
16	161.07500	off	off	W	no	User	127	off	on	A	Fixed	no	off		

1Help 2Common 3DiskLoad 4DiskSave 5Read ROM 6WriteROM 7PrintOut 8Quit

CE27 Main Screen (Left)

CE27 Programming Software Instruction

Channel Data Items

Ch: Channel Number

This 2-digit number (01 - 16) is used to identify the channel. Channel numbers occur in sequence, and their order can not be changed.

Rx Freq.: Edit Receive (or simplex) Frequency

Use the [0] - [9] keys to enter the desired channel frequency directly, and press the [ENTER] key.

CTCSS Decoders: Toggle CTCSS Decoder ON/OFF, sets CTCSS Frequency

Press the [SPACE] bar to toggle the CTCSS Decoder "on" or "off," or press the [ENTER] key to display the "TONE SELECT" window, from which you may select a CTCSS frequency using the [ARROW] key; press [ENTER] again to accept the selected tone, or press [Esc] key to cancel.

Tone	Select	Tone	Select
67.0	026	71.0	074
67.2	027	71.2	075
67.4	028	71.4	076
67.6	029	71.6	077
67.8	030	71.8	078
68.0	031	72.0	079
68.2	032	72.2	080
68.4	033	72.4	081
68.6	034	72.6	082
68.8	035	72.8	083
69.0	036	73.0	084
69.2	037	73.2	085
69.4	038	73.4	086
69.6	039	73.6	087
69.8	040	73.8	088
70.0	041	74.0	089
70.2	042	74.2	090
70.4	043	74.4	091
70.6	044	74.6	092
70.8	045	74.8	093
71.0	046	75.0	094
71.2	047	75.2	095
71.4	048	75.4	096
71.6	049	75.6	097
71.8	050	75.8	098
72.0	051	76.0	099
72.2	052	76.2	100

DCS Decoders: Toggle DCS Decoder ON/OFF, sets DCS Code #

Press the [SPACE] bar to toggle the DCS Decoder ON or OFF, or press the [ENTER] key to display the "CODE SELECT" window, from which you may select a DCS code using the [ARROW] key; press [ENTER] again to accept the selected code, or press the [Esc] key to cancel.

Code	Select	Code	Select
023	026	031	032
051	054	065	071
114	116	122	125
143	145	152	155
174	205	212	223
245	246	251	255
286	277	274	282
332	343	344	351
411	443	451	455
452	454	462	464
506	516	526	526
612	624	627	631
703	712	723	731
			732
			734
			743
			754

WIN: Wide/Narrow Channel Spacing

This function selects the channel spacing environment in which the VXR-7000 operates.

W (Wide) = 25 kHz Channel Spacing, ±5 kHz Deviation.

N (Narrow) = 12.5 kHz Channel Spacing, ±2.5 kHz Deviation.

Press the [SPACE] bar to select the desired channel spacing environment.

Clk Sft: Enable/disable the CPU Clock Shift

This function is only used to move a spurious response "birdie" should it fall on a current frequency.

Press the [SPACE] bar to toggle "yes" or "no."

NSQ Mode: Noise Squelch Mode

This command selects the manner of setting of the Squelch threshold level.

User = The squelch threshold level is fixed via the "NSQ Lv" parameter (NSQ Lv: 0 [min.] ~ 255 [max.]).

Prpgrm = The squelch threshold level determined via the dealer programming.

Press the [SPACE] bar to select the desired NSQ Mode.

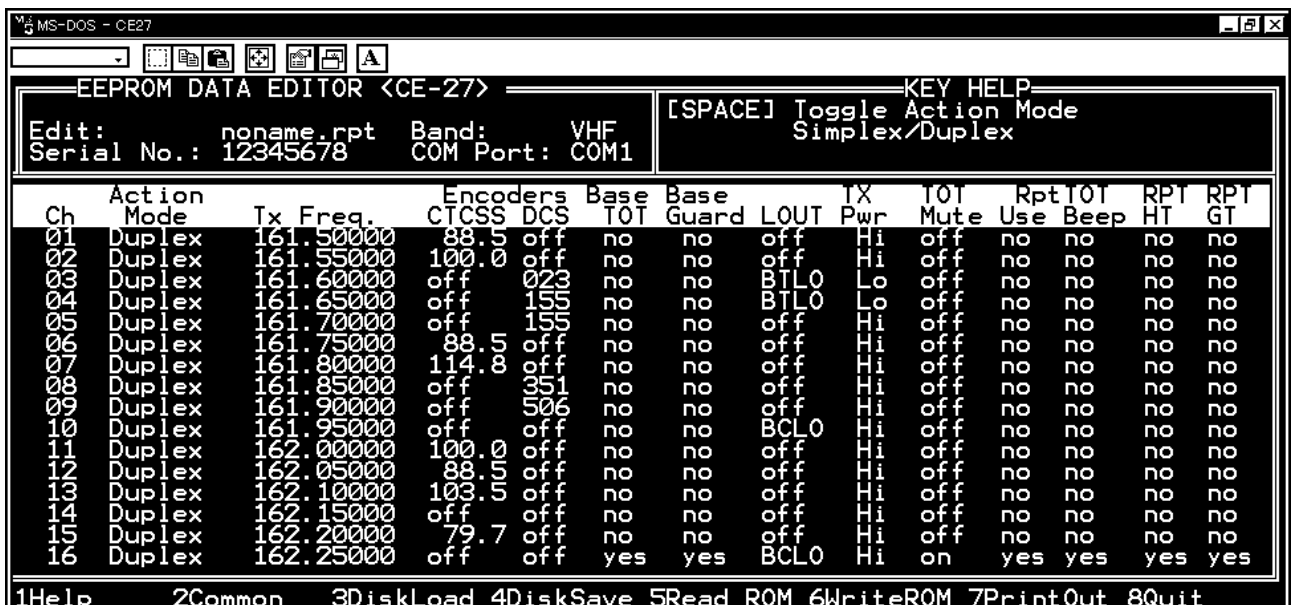
NSQ Lv: Noise Squelch threshold level

Use the [0] - [9] keys to enter the desired Squelch threshold level directly, and press the [ENTER] key. Available values are 0 (min.) ~ 255 (max.).

Court Blip: Courtesy Blip

When this parameter is set to "on," this function causes the VXR-7000 to send out a "blip" on the portable/mobile radio is frequency each time the portable radio is unkeyed. This provides audible confirmation to the user that the VXR-7000 was able to receive the transmission from the portable.

Press the [SPACE] bar to toggle "on" or "off."



CE27 Main Screen (Scrolled Right)

CE27 Programming Software Instruction

Rev Bst: Reverse Burst.

When this parameter is set to "on," the CTCSS tone signal's phase is inverted just before the repeater turns to receive. This allows the portable/mobile station's CTCSS Decoder to begin switching off, thus reducing the transition time required.

Press the [SPACE] bar to toggle "on" or "off."

DCS Typ: DCS Format

This command is effective only when DCS is chosen for squelch control.

A = "Normal" DCS

B = "Inverted" (complement) DCS

Press the [SPACE] bar to select the desired DCS Type.

DDec Type: DCS Decoder Type

This command selects the manner in which DCS is to be decoded.

Fixed = Decodes only the type selected in above parameter (**DCS Typ**: Normal or Inverted).

Auto = Both types (Normal and Inverted) will be decoded.

Press the [SPACE] bar to select the desired DCS Decoder Mode.

Multi Tone: Enable/disable Multi Tone Operation

Press the [SPACE] bar to toggle Multi Tone Operation between selections "yes" and "no."

Press the [ENTER] key to display the "MULTI TONE SELECT" window, from which you may select a CTCSS tone or DCS code;

Multi Tone Select(CH-1)			
	Decoders	Encoders	
Tone	CTCSS	CTCSS	DCS
Tone 01	88	88	---
Tone 02	100	100	---
Tone 03	---	023	023
Tone 04	114	88	---
Tone 05	203	88	---
Tone 06	---	155	155
Tone 07	---	023	023
Tone 08	---	506	506

move the cursor to the appropriate field you using the [ARROW] key, then press the [ENTER] key to open the "TONE SELECT" or "CODE SELECT" window. Now select the desired CTCSS tone or DCS code using the [ARROW] key, then press the [ENTER] key again to accept the selected tone or code, or press the [Esc] key to cancel. You may set as many as 16 CTCSS tones and/or DCS codes. Note that, if you do not yet program a CTCSS tone or DCS code in the "MULTI TONE SELECT" window (when the "MULTI TONE SELECT" window data is not programmed), press the [SPACE] bar to display the "MULTI TONE SELECT" window directly.

CWID ANI/ENI: Select the Identifier mode

Press the [SPACE] bar to toggle the selections "CW ID," "ANI/ENI," or "Off." To select this feature to the "CW ID" or "ANI/ENI," the "CW ID" parameter must be enabled via the dealer programming.

Action Mode: Select the repeater operation mode

Press the [SPACE] bar to toggle between "Duplex" operation or "Simplex" operation.

Tx Freq.: Edit Transmit Frequency

Use the [0] - [9] keys to enter the desired channel frequency directly, and press the [ENTER] key.

CTCSS Encoders: Toggle CTCSS Encoder ON/OFF, sets CTCSS Frequency

Press the [SPACE] bar to toggle the CTCSS Encoder "on" or "off," or press the [ENTER] key to display the "TONE SELECT" window,

Tone	Select		
67	69	71	74
77	79	82	85
88	91	94	97
100	103	107	110
114	118	123	127
151	156	162	167
173	179	186	192
203	210	218	225
233	241	250	159
183	189	196	199
206	229	254	1

from which you may select a CTCSS frequency using the [ARROW] key; press [ENTER] again to accept the selected tone, or press the [Esc] key to cancel.

DCS Encoders: Toggle DCS Encoder ON/OFF, sets DCS Code

Press the [SPACE] bar to toggle the DCS Encoder "on" or "off," or press the [ENTER] key to display the "CODE SELECT" window, from which you may select a DCS code using the [ARROW] key; press [ENTER] again to accept the selected code, or press the [Esc] key to cancel.

Code	Select				
025	072	031	032	036	047
051	057	036	071	073	074
114	116	125	131	134	134
143	152	155	163	165	172
174	205	212	226	243	244
245	246	251	255	261	265
266	271	274	306	315	---
332	343	346	351	364	---
411	412	413	431	434	---
452	454	455	462	464	---
516	524	526	537	537	---
703	723	731	732	734	---

Base TOT: Enable/disable the Time-Out Timer while in the "BASE" station mode

Press the [SPACE] bar to toggle the TOT feature selects "yes" and "no."

The TOT time is determined by dealer programming.

Base Guard: Enable/disable the Base Guard Feature

When this parameter is set to "yes," the transmitter will be inhibited for a few seconds before the repeater (in the "BASE" station mode) turns to receive.

The inhibit time is determined via dealer programming.

LOUT: Select the Lock Out Feature's mode

Press the [SPACE] bar to toggle the Lock Out Feature between "BCLO," "BTLO," or "off," then press the [Enter] key to accept the setting. "BCLO" inhibits transmitting while there is carrier present. "BTLO" inhibits transmitting while there is carrier present unless there also is a valid tone present.

TX Pwr: *Transmitter Power Output Selection*

This parameter selects the desired power output from the VXR-7000 on the current channel. The available values are HIGH and LOW.

Press the [SPACE] bar to select “Hi” or “Lo.”

TOT Mute: *Enable/disable the TOT (Time-Out Timer) beep monitoring*

When this parameter is set to “on,” the alert beep will sound from the front panel speaker before the repeater turns itself off.

RptTOT Use: *Enable/disable the Time-Out Timer while operating in the repeater mode*

Press the [SPACE] bar to toggle the Repeater TOT selects “yes” or “no.”

The TOT time is determined via dealer programming.

RptTOT Beep: *Enable/disable the TOT beep Transmission*

Press the [SPACE] bar to toggle the TOT beep selects “yes” or “no.”

When this parameter is set to “yes,” the alert beep will be sent out on the air before the repeater turns itself off, while operating in the “REPEATER” mode.

RPT HT: *Enable/disable the Repeater Hang-on Timer*

Press the [SPACE] bar to toggle the Repeater Hang-on Timer selects “yes” or “no.”

When this parameter is set to “yes,” the repeater will remain keyed for a desired seconds after a receiving carrier is dropped.

The Hang-up time is determined via dealer programming.

RPT GT: *Enable/disable the Repeater Guard*

When this parameter is set to “yes,” the transmitter inhibit few second before the repeater is unkeyed.

The inhibit time is determined via dealer programming.

Duplexer Installation

Important Notes!

Please refer to the operating manual for your Duplexer for details regarding maximum power input, TX/RX connector locations, etc) before installing the Antenna Duplexer.

Be certain to observe and comply with the specifications for frequency separation and maximum transmitter power for the duplexer connected to the VXR-7000, particularly when using the VXD-40xx internal duplexer. When the VXD-40xx is used, the frequency separation must be 5 MHz (minimum) to 10 MHz (maximum), and the maximum transmitter power output allowed is 40 Watts.

If the VXR-7000 output power (50 Watts) is in excess of the range of the duplexer's capability, you may reduce the TX output power of the VXR-7000 before installing the Antenna Duplexer, using the following procedure:

1. Connect the VXR-7000's TX antenna port to a wattmeter and dummy load (the duplexer must not be connected at this point). Connect any Vertex Standard microphone to the **MIC** jack, and place the **BASE/REPEATER** switch in the "BASE" position. Select Channel 1 for alignment purposes.
2. Press and hold in the **ACCESSORY** switch for two seconds to enter the adjustment mode. The channel number will begin to blink.
3. Press and hold in the **PTT** key on the microphone. The display will indicate "Po" while transmitting. Observe the power output as indicated on the wattmeter.
4. Keep the holding in the **PTT** key, press the ▲ (UP: increment) or ▼ (DOWN: decrement) button (to the right of the channel display) repeatedly to adjust the TX output power to 40 Watts (or less).
5. Keep the holding in the **PTT** key, press and hold in the **ACCESSORY** button for at least two seconds to save the new setting and exit to the normal operation.
6. Release the **PTT** key.
7. Repeat steps 2. through 6. (above) for any other channels (2 through 16) if they are to be used.
8. Re-test each channel in the normal operating mode to confirm the proper power output. You may now disconnect all test equipment.
9. The duplexer may now be installed.

The above procedure should only be performed by your Authorized Vertex Standard Dealer or a qualified radio technician, in order to ensure accurate calibration. Please consult with your Authorized Vertex Standard Dealer for assistance with procurement of a suitable duplexer.

Installations

1. Remove the 14 screws affixing the top and bottom covers of repeater, and remove the covers (Figure 1).
2. Turn the repeater upside down.
3. Referring to Figure 2, remove the upper screw in either side of the front panel, and loosen the lower screw in either side of the front panel, then slide the front panel forward slightly.
4. Remove the coaxial cables connected to the TX and RX antenna jacks of the repeater.
5. Install the duplexer into the compartment on the bottom side of the repeater, using the four screws and antenna cable provided in the **CT-68** Hardware Kit (Figure 3). Some duplexers may not line up with the threaded mounting holes in the repeater's chassis. In this case, use the supplemental mounting brackets supplied with the **CT-68** Hardware Kit (Figure 4).
6. Connect the optional Antenna Cable **CT-68** between the TX antenna jack of the repeater and ANT (center) jack of the duplexer.
7. If your repeater's Tx/Rx frequency relationship is "upper shift" type ($TXf > RXf$), connect the coaxial cable from the RX Unit to the LOW PASS jack of the duplexer and connect the coaxial cable from the PA Unit to the HIGH PASS jack of the duplexer. If your repeater's Tx/Rx frequency relationship is "lower shift" type ($TXf < RXf$), connect the coaxial cable from the RX Unit to the HIGH PASS jack of the duplexer and connect the coaxial cable from the PA Unit to the LOW PASS jack of the duplexer.
Note: Route the TX coaxial cable from the PA Unit as far as possible from the RX coaxial cable from the RX Unit.
8. Duplexer installation is now complete. Replace the front panel back into place, and replace the top and bottom covers.

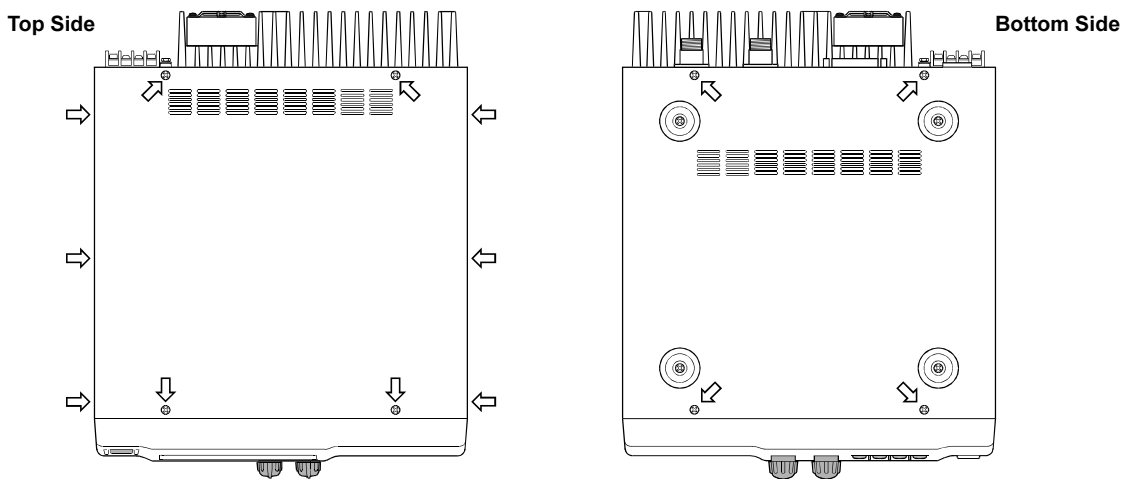


Figure 1

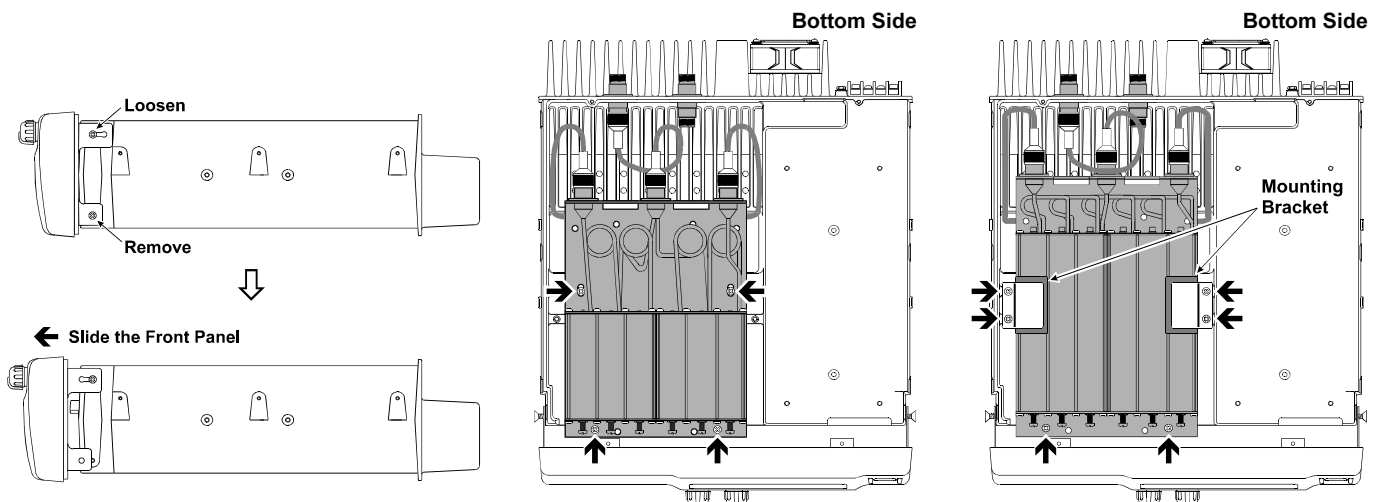


Figure 2

Figure 3

Figure 4

Specifications

General

Frequency Range:	VXR-7000v 136 ~ 150 MHz (A) or 150 ~ 174 MHz (C) VXR-7000U 400 ~ 430 MHz (A), 450 ~ 480 MHz (D), or 480 ~ 512 MHz (F)
Number of Channels:	16
Channel Spacing:	12.5/25 kHz
Frequency Stability:	VXR-7000v ± 2.5 ppm VXR-7000U ± 1.5 ppm
Antenna Impedance:	50 Ω (N-Type)
Tx Activation System:	Carrier-operated, CTCSS tone operated, DCS operated, or remote control
Power Requirements:	115/230 V AC $\pm 10\%$, 50/60 Hz or 13.8 VDC
Ambient Temperature Range:	-30 $^{\circ}$ C ~ $+60$ $^{\circ}$ C
Dimensions (w/o knobs):	325 x 115 x 391.5 mm (12.8 x 4.5 x 15.4 inches)
Weight (approx.):	10 kg (22 lbs.)

Receiver

Receiver Type:	Double-conversion Superheterodyne
Sensitivity:	VXR-7000v 0.25 μ V for 12 dB SINAD, 0.35 μ V for 20 dB NQ VXR-7000U 0.3 μ V for 12 dB SINAD, 0.4 μ V for 20 dB NQ
Selectivity:	80 dB
Intermodulation:	VXR-7000v 80 dB VXR-7000U 85 dB
Spurious & Image Rejection:	VXR-7000v 95 dB VXR-7000U 85 dB
Audio Output:	4 W @ 4 Ω

Transmitter

RF Output:	10 ~ 50 W (Adjustable)
Duty Cycle:	100 %
Maximum Deviation:	± 5.0 kHz (25 kHz spacing), ± 2.5 kHz (12.5 kHz spacing)
Modulation Type:	16K0F3E/11K0F3E
Audio Distortion:	Less than 2.5 % @ 1 kHz
Spurious Emissions:	VXR-7000v Better than 80 dB below carrier VXR-7000U Better than 75 dB below carrier

Specifications are subject to change without notice or obligation.

Supplied

Item	Quantity
AC Cord (T9013282)	1
Spare 5A AC Fuse (Q0000005)	1
Spare 20A DC Fuse (Q0000079)	1

Options

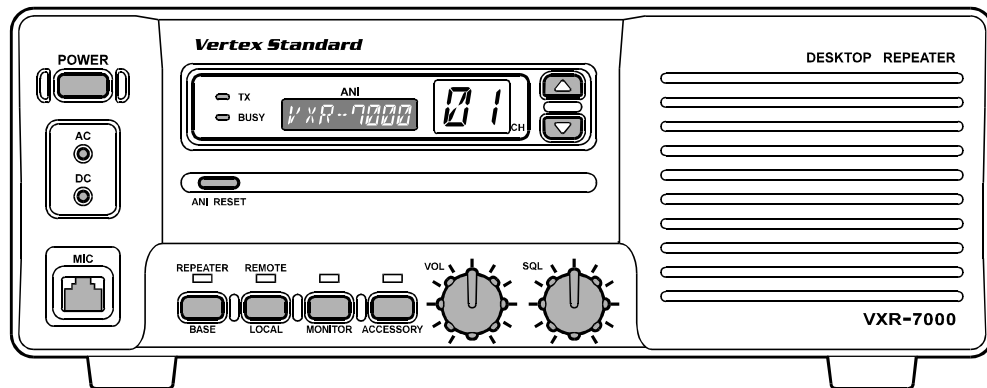
MD-12A8J	Desktop Microphone
CT-68	Antenna Cable w/mounting screw (for the Antenna Duplexer)
FIF-10A	USB Programming Interface
FIF-12	USB Programming Interface
CT-104A	PC Programming Cabel (for FIF-10A)
CT-171	PC Programming Cabel (for FIF-12)
MR-3	19" Cabinet Rack-Mount Unit

Note

Español

Contenidos

Introducción	1
Controles y Conectores	2
Panel Frontal	2
Panel Posterior	4
Puerto de Conexión para Accesorios	6
Puerto de Interconexión de LÍNEAS	8
Instalación	9
Consideraciones Pertinentes a la Antena	9
Selección de Voltaje de la Fuente de CA	9
Fuente de Alimentación de CC de Reserva	9
Emplazamiento del Equipo	9
Modificación del Puente de Conexión para la Red de CA de la Unidad del Regulador de Conmutación.....	10
Instrucciones del Programa de Computación CE27	12
Registro de Datos Relativos a los Canales.....	13
Instalación del Duplexor	16
Especificaciones Técnicas y Accesorios	18

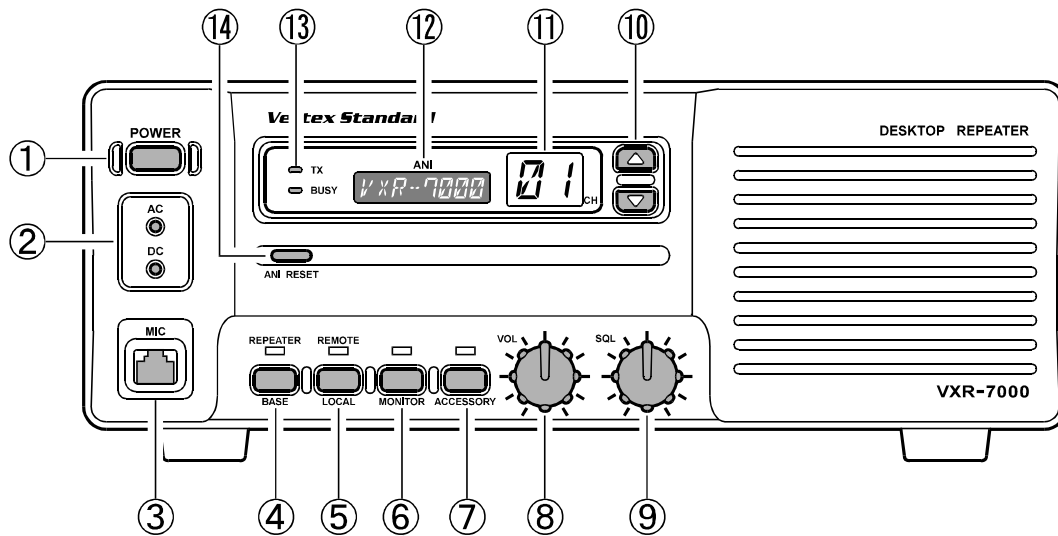


El VXR-7000 es un repetidor en FM de 50 vatios de calidad comercial, especialmente concebido para proveer un servicio de comunicación bilateral constante y seguro en una extensa gama de condiciones ambientales.

Proyectado como una estación base de estilo moderno, con componentes de la mejor calidad en todo su sistema, el VXR-7000 utiliza los modelos computacionales y procesos de fabricación más avanzados que existen hoy en día, de modo de garantizar el más alto nivel de seguridad funcional para el usuario. La información importante relativa a los canales de frecuencia queda almacenada en una memoria EEPROM, la cual se puede programar con toda facilidad valiéndose de un computador personal, un Interfaz USB FIF-10A+CT-104 (or FIF-12+CT-171) y una Rutina de Programación CE-27.

Haga el favor de detenerse unos minutos para leer este manual con atención. La información que aquí se presenta le permitirá aprovechar al máximo todas las ventajas funcionales del VXR-7000. Una vez que termine de leer este manual, manténgalo a mano para consultarlo en caso de que surja en el futuro cualquier duda relacionada con el manejo de este aparato.

Panel Frontal



- ① Interruptor de Conexión **"POWER"**
Éste es el interruptor de conexión principal que posee el repetidor.
- ② Indicadores **LED**
"AC": Este indicador LED se ilumina de color verde cuando el equipo funciona con CA.
"DC": Este indicador LED se ilumina de color amarillo cuando el equipo funciona con CC.
- ③ Conector para Micrófono **"MIC"**
Este conector modular de 8 alfileres de contacto admite el audio del micrófono y cuenta además con una línea de control alternativa destinada a activar el transmisor cada vez que funciona como estación "BASE". Dicho conector también viene equipado con una línea de control de "Conmutación", aparte de una línea especial para la "Reproducción de Datos".
- ④ Conmutador para los modos **BASE** y del **REPETIDOR**
Este interruptor le permite alternar entre los modos del **REPETIDOR** y de transceptor "BASE". Cuando se selecciona el modo del "REPETIDOR", el indicador LED que se encuentra sobre él se ilumina de color verde. Al hacer funcionar el equipo como estación "BASE" (el LED no se enciende), el usuario puede hablar a través del micrófono y usarlo por consiguiente como transceptor. Si desea emplear el VXR-7000 como un repetidor normal, simplemente coloque el referido interruptor en el modo correspondiente a "REPETIDOR".

- ⑤ Conmutador para los modos **LOCAL** y **REMOTO**
Este interruptor le permite alternar entre los modos de funcionamiento **REMOTO** y "LOCAL". Cuando se selecciona el modo "LOCAL", no se enciende el indicador LED que está sobre él, haciendo que el repetidor funcione de acuerdo con los parámetros de control programados en dicho aparato. Al tener el modo "REMOTO" habilitado, el LED se ilumina de color verde, en cuyo caso el repetidor funcionará de acuerdo con las instrucciones de control que emanen de un dispositivo externo (conectado en el enchufe **ACC** del panel posterior).
- ⑥ Interruptor del **MONITOR**
Con este interruptor se selecciona el modo de "Silenciamiento" (o enmudecimiento del receptor). Cuando el indicador LED sobre él no se enciende, significa que el silenciamiento mediante "Tono" o "Código" es el sistema que ha sido activado en el VXR-7000. Al presionar este interruptor en forma *momentánea*, hará que el indicador LED se ilumine constantemente sobre el panel; en cuyo caso sólo se habilita el circuito "Reductor de Ruidos", siendo posible escuchar toda señal existente en el canal. Si presiona firmemente este interruptor por más de 1,5 segundos, el LED comenzará a parpadear haciendo que se abra el circuito de sintonía silenciosa; en este caso, se escuchará el ruido de fondo al no existir ninguna señal presente en el canal.

⑦ Interruptor para **ACCESORIOS**

Este interruptor se puede programar para aplicaciones especiales, tales como la selección de potencia entre los niveles Alto y Bajo, según lo disponga el distribuidor Vertex Standard de su localidad. El indicador LED sobre dicho interruptor se ilumina de color verde cuando esta función ha sido habilitada. Para mayores detalles sobre el tema, comuníquese con el representante Vertex Standard de su localidad.

⑧ Perilla de **VOL**umen

Con este control se regula el nivel de volumen que emana del parlante ubicado en el panel frontal. Si lo desea, usted puede ajustar esta perilla en la máxima regulación de la izquierda cuando no se requiera monitorear repetidores.

⑨ Perilla de Silenciamiento "**SQL**"

Mediante esta perilla de control se selecciona el nivel umbral de silenciamiento de ruido.

⑩ Botones Selectores de Canales (▲ y ▼)

Oprima cualquiera de estos dos botones para seleccionar el canal de comunicación que desea utilizar.

⑪ Indicador de Canales

Este indicador LED de siete segmentos exhibe el número correspondiente al canal de comunicación vigente.

⑫ Despliegue del Sistema Automático de Identificación Numérica "**ANI**"

El Visualizador de Cristal Líquido (LCD) del Sistema Automático de Identificación Numérica exhibe el mensaje ANI que se programa conforme al código de identificación recibido.

⑬ Indicador de Transmisión y Ocupación "**TX/BUSY**"

El indicador "**BUSY**" se ilumina de color verde una vez que se ocupa el canal, en tanto que el icono de "**TX**" se ilumina de color rojo mientras se encuentre transmitiendo el repetidor.

⑭ Botón de **REPOSICIÓN del Sistema ANI**

(1) ANI

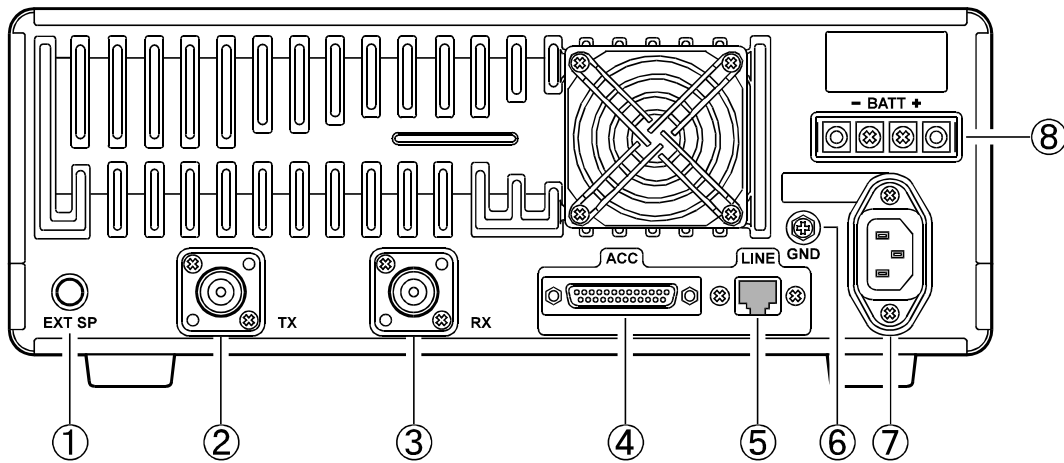
Oprima este botón para borrar el mensaje contenido en el visualizador del Sistema Automático de Identificación Numérica y apagar la luz de fondo de la pantalla de LCD.

(2) ENI

Oprima este 2 botón para desconectar el tono de Alerta.

Oprima este botón una vez más para borrar el mensaje contenido en el visualizador del Sistema Automático de Identificación Numérica y apagar la luz de fondo de la pantalla de LCD.

Panel Posterior



- ① **Enchufe para parlante externo "EXT SP"**
Este minienchufe de 3,5 mm y dos alfileres de contacto suministra la salida de audio variable para un parlante externo. La impedancia de audio en este enchufe es de 4 ~ 16 ohmios, cuyo nivel varía conforme a la regulación de la perilla de **VOL**umen ubicada en el panel frontal del equipo.
- ② **Enchufe para Antena de TX**
Este enchufe coaxial tipo N proporciona la señal de salida de transmisión para instalar una antena emisora o acoplar la clavija de TX de un duplexor, de haber instalado uno. La impedancia de salida que se requiere es de 50 Ω.
- ③ **Enchufe para Antena de RX**
Este enchufe coaxial tipo N proporciona la señal de entrada de recepción para instalar una antena receptora o acoplar la clavija de RX de un duplexor, de haber instalado uno. La impedancia de entrada que se requiere es de 50 Ω.
- ④ **Enchufe para accesorios "ACC"**
Este conector DB-25 es el punto de interconexión entre el microprocesador del VXR-7000 y los dispositivos periféricos (como una Unidad de Troncalización "VX-TRUNK" por ejemplo).
- ⑤ **Conector de LÍNEA**
Este enchufe modular de 8 alfileres de contacto se usa para accionar el mecanismo de control remoto y cuenta además con una salida para el audio de TX y RX, la activación del transmisor y para dar a conocer el estado actual del circuito de silenciamiento. La impedancia del audio de TX y RX es de 600 Ω.
- ⑥ **Terminal a Tierra "GND"**
Para conseguir un óptimo rendimiento y seguridad funcional, este terminal debe estar conectado a una buena toma de tierra con un cable trenzado, corto y de grueso calibre.
- ⑦ **Enchufe para Alterna**
Este receptáculo admite el cordón de alimentación de alterna, el cual debe conectarlo a la red de CA o bien, directamente en el enchufe de la pared.
- ⑧ **Terminal para Batería "BATT"**
Estos bornes admiten entre 12 y 15 voltios de CC de modo que el repetidor funcione con una batería u otra fuente de alimentación de CC que pueda poseer el usuario. Cuando el VXR-7000 se hace funcionar a partir de la red de CA, una pequeña corriente de carga se hace presente en estos terminales, con el objeto de conservar la energía existente en dicha batería. Se recomienda emplear pilas con una potencia nominal de 12 voltios, 55 Ah (como mínimo) para realizar transmisiones breves de emergencia o de apoyo.

Puerto de Conexión para Accesorios

El repetidor VXR-7000 viene equipado con un conector hembra DB 25F de 25 alfileres de contacto destinado a la conexión de dispositivos accesorios. Use un conector macho DB-25M de 25 alfileres de contacto cuando desee acoplar dispositivos a dicho repetidor. A continuación se presenta una descripción detallada de cada uno de los alfileres existentes en el referido conector:

Alfiler 1: "GND"

Conexión a masa para todos los niveles lógicos, incluyendo el retorno de la fuente de alimentación.

Alfiler 2: +13.8 V [Fuente de Alimentación]

Esta espiga suministra corriente continua regulada de 13,8 voltios y 1.0 A que genera la fuente del repetidor. Instale un fusible de 1 A en la línea de CC del dispositivo externo con el objeto de proteger el repetidor.

Alfiler 3: "TX AF IN" [Entrada del Transmisor Analógico]

(Banda Vocal: 300 ~ 3.000 Hz)

La impedancia de entrada es de aproximadamente 600 Ω. Este audio es inyectado antes de llegar a la etapa de filtro contra radiaciones espurias, a fin de limitar los niveles excesivos de la señal de entrada. Utilice un cable blindado para acoplar este alfiler y conectar la sección apantallada a tierra (GND).

Alfiler 4: "TONE IN" [Entrada del Transmisor]

(Banda Subaudible: 6 ~ 250 Hz)

La impedancia de entrada es elevada (aproximadamente 22 k Ω). Al inyectar en este punto una tensión demasiado alta produce la desviación excesiva de señales DCS o CTCSS, degradando la calidad funcional del equipo. Utilice un cable blindado para acoplar este alfiler y conectar la sección apantallada a tierra (GND).

Alfiler 5: N.C.

(No existe ninguna conexión en este punto)

Alfiler 6: "DISC OUT" [Salida Analógica]

(Banda Ancha: 0 ~ 3.000 Hz)

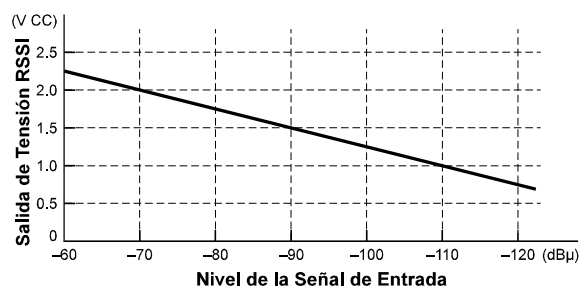
Las señales que se reciben con una desviación estándar producen un audio de aproximadamente 1 Vp-p en este alfiler. La impedancia de salida es de aproximadamente 600 Ω, la cual es extraída antes del circuito de silenciamiento y desacentuación. Utilice un cable blindado para acoplar este alfiler y conectar la sección apantallada a tierra (GND).

Alfiler 7: "GND"

Conexión a masa para todos los niveles lógicos, incluyendo el retorno de la fuente de alimentación.

Alfiler 8: "RSSI" [Salida Analógica]

Este alfiler suministra una tensión de CC proporcional a la fuerza de la señal que se está recibiendo en ese momento (Indicador de Intensidad de la Señal de Recepción). Esta baja salida de impedancia es producida por el subsistema de FI y separada por un amplificador de operación interno. A continuación se incluye la representación gráfica de los voltajes más comunes:



Alfiler 9: "COAX. SW" [Salida Lógica]

(de Poca Actividad)

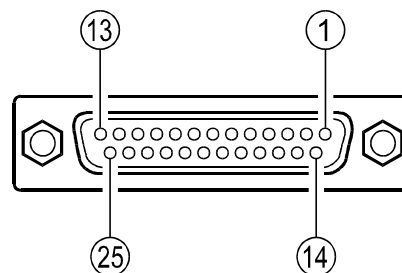
La función de dicho alfiler es la de ejercer control sobre un relé de conmutación externo. Es una salida de colector abierto que puede descender alrededor de 10 mA cuando está activada. Esta señal se cambia sólo si el repetidor se encuentra programado en el modo "SÍMPLEX". Si decide programar el repetidor en el modo "DÚPLEX", entonces la señal permanece abierta constantemente (manteniendo una impedancia elevada).

Alfiler 10: N.C.

(No existe ninguna conexión en este punto)

Alfiler 11: "NSQ DET"

Es una salida de baja actividad de colector abierto capaz de descender alrededor de 10 mA, la cual sirve para indicar que el circuito de silenciamiento del receptor está abierto. Cuando el control de silenciamiento ha sido ajustado en la forma debida, dicha salida revela la presencia de una portadora en el canal de recepción.



ACC Jack
DB-25 Pin Numbering

Alfiler 12: "EXT PTT"

Esta entrada es excitada internamente hasta alcanzar un máximo de 5 V CC. Cuando un dispositivo externo la hace descender, se activa el transmisor del repetidor mientras dicho aparato se encuentre funcionando a partir del modo de "BASE". Evite suministrar tensiones que superen los 5 V en este alfiler, puesto que de lo contrario podría dañar el interior del microprocesador dentro de la Unidad de CONTROL del VXR-7000.

Alfiler 13: "GND"

Conexión a masa para todos los niveles lógicos, incluyendo el retorno de la fuente de alimentación.

Alfiler 14: "GND"

Conexión a masa para todos los niveles lógicos, incluyendo el retorno de la fuente de alimentación.

Alfiler 15: N.C.

(No existe ninguna conexión en este punto)

Alfileres 16, 17, 18, y 19: "REMOTE CH DATA"

[Entradas Lógicas D3, D2, D1 y D0] *(De Poca Actividad)*

Estas entradas son excitadas internamente hasta alcanzar un máximo de 5-V CC. Cuando un dispositivo externo las hace descender, éstas seleccionan uno de los 16 canales de comunicación previamente programados en el equipo. La tabla de verdades lógicas que se incluye a continuación muestra las combinaciones para seleccionar los 16 canales existentes.

En la tabla de verdades lógicas el "1" representa la ausencia de conexión y el "0", una toma a masa en el alfiler.

La lógica en la selección de canales no se inhibe al activar el transmisor: el repetidor va a cambiar de frecuencia cuando se le instruya, aunque en ese momento se encuentre transmitiendo.

Evite suministrar tensiones que superen los 5 V en estos alfileres, puesto que de lo contrario podría dañar el interior del microprocesador dentro de la Unidad de CONTROL del VXR-7000.

Canal	Alfiler 16 (D3)	Alfiler 17 (D2)	Alfiler 18 (D1)	Alfiler 19 (D0)
1	1	1	1	1
2	1	1	1	0
3	1	1	0	1
4	1	1	0	0
5	1	0	1	1
6	1	0	1	0
7	1	0	0	1
8	1	0	0	0
9	0	1	1	1
10	0	1	1	0
11	0	1	0	1
12	0	1	0	0
13	0	0	1	1
14	0	0	1	0
15	0	0	0	1
16	0	0	0	0

Alfiler 20: "GND"

Conexión a masa para todos los niveles lógicos, incluyendo el retorno de la fuente de alimentación.

Alfiler 21: "A-OUTPUT" [Salida Lógica]

(De Baja Actividad)

Esta salida lógica de colector abierto y de baja actividad experimenta una disminución de voltaje al accionar la tecla para ACCESORIOS del panel frontal. Ésta puede descender alrededor de 10 mA en el momento de ser activada por el operador.

Alfiler 22: "RXD LOW"

[Salida Digital para Transmisión de DATOS]
(300 ~ 3.000 Hz)

Este alfiler es una salida para señales de recepción de datos a velocidad reducida, en la que la información es extractada una vez que haya atravesado las etapas de desacentuación y del filtro pasabajos.

Alfiler 23: "RXD HI"

[Salida Digital para Transmisión de DATOS]

Este alfiler es una salida para señales de recepción de datos a gran velocidad, en la que la información es extractada inmediatamente después de atravesar el circuito discriminador, antes de cualquier etapa de desacentuación.

Alfiler 24: "TXD LOW"

[Entrada Digital para Transmisión de DATOS]
(300 ~ 3.000 Hz)

Este alfiler funciona como una entrada de señales de información digital a velocidad reducida hacia el repetidor. Las referidas señales son inyectadas antes de la etapa limitadora y de desacentuación, a fin de recortar los niveles excesivos de la señal de entrada.

Alfiler 25: "TXD HI"

[Entrada Digital para Transmisión de DATOS]

Este alfiler funciona como una entrada de señales de información digital a gran velocidad hacia el repetidor. Las referidas señales son inyectadas una vez atravesada la etapa del filtro contra radiaciones espurias que posee el transmisor.

Puerto de Interconexión de LÍNEAS

El VXR-7000 viene equipado con un enchufe modular de 8 alfileres de contacto para las aplicaciones relacionadas con la interconexión de líneas. Se debe insertar una clavija modular tipo Western Electric® RJ45 en el referido enchufe. El diagrama de interconexiones externas se incluye más adelante en el manual.

Cabe hacer notar que existen dos tipos de enchufes modulares, de 4 y 8 líneas. Si se utiliza un enchufe modular de 4, sólo se deben realizar las conexiones de las líneas de **ENTRADA** y **SALIDA**. Es necesario emplear uno de 8 para tener acceso a la totalidad de las líneas. Conforme a la interface de telecomunicación estándar, las conexiones de línea en el conector interfacial correspondiente presentan una impedancia balanceada, las cuales se describen de la siguiente manera.

Alfileres 1 y 2: [RX SQ(+), RX SQ(-)]

El VXR-7000 trae incorporado un seccionador óptico para facilitar la señalización E (EAR). Dicho seccionador óptico interviene cuando se presenta en el canal una señal que sobrepasa el umbral de silenciamiento del receptor (con el tono CTCSS o código DCS correspondiente, de haber sido habilitada esa función). El alfiler identificado como RX SQ(-) es el emisor y el RX SQ(+), el colector.

Alfileres 3 y 4:

[LINE IN (Audio de la Línea de Transmisión)]

Las señales analógicas entre 300 y 3000 Hz suministradas a este par son aplicadas al transmisor cuando el repetidor ha sido programado en el modo de "BASE" (el indicador LED del **REPETIDOR** permanece apagado) y es activado ya sea por la señal de entrada "TX KEY" (refiérase a la sección siguiente) o bien, mediante la señal "EXT PTT" generada en alfiler de contacto 12 ubicado en la clavija **ACC** del panel posterior. La desviación estándar se logra con un nivel de línea de -10dBm.

Alfileres 5 y 6:

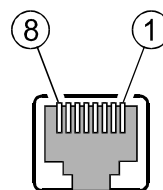
[LINE OUT (Audio de la Línea de Recepción)]

El audio de recepción se obtiene a través de este par, el cual está supeditado a la decodificación CTCSS o DCS si la intensidad de la señal recibida sobrepasa el umbral de silenciamiento establecido en el aparato.

De acuerdo a la configuración original del equipo, una señal de recepción de 1- kHz con una desviación estándar genera -10 dBm en la línea; sin embargo, es posible alterar este valor mediante el **VR4002** y el **S4001** (en la Unidad de CONTROL del repetidor).

Alfileres 7 y 8: [TX KEY(+), TX KEY(-)]

El VXR-7000 trae incorporado un seccionador óptico para facilitar la señalización M (MIC). Es decir, al suministrar una tensión a estos alfileres se produce la conexión del seccionador y se activa al mismo tiempo el transmisor. El alfiler TX KEY(+) corresponde al ánodo del seccionador, mientras que RX SQ(-) al cátodo del mismo.



Clavija de Interconexión de LÍNEAS
Numeración de los Alfileres de la Clavija Modular

Consideraciones Pertinentes a la Antena

El funcionamiento del repetidor sin un duplexor requiere que se instalen dos antenas, una para recibir y otra para emitir, de modo de evitar que la antena de recepción absorba energía proveniente de la de transmisión. Existen varias formas de realizar esta instalación, dependiendo de la separación existente entre las frecuencias de Tx y Rx, y de los lugares donde es posible montar dicha antena. De incluir un duplexor, es suficiente instalar una sola antena tanto para recibir como para transmitir. En caso de contar con un duplexor de tamaño reducido, se recomienda emplear un modelo de seis cavidades (como mínimo). Vertex Standard aconseja instalar un duplexor, pero si de todas formas desea obtener mayores detalles sobre el tema, comuníquese con el distribuidor autorizado de su localidad.

Independientemente de la selección que realice, es de suma importancia que monte la o las antenas en el punto más elevado y despejado posible, de preferencia dentro de la trayectoria óptica de todos los usuarios del repetidor. Además, es necesario minimizar las pérdidas en la(s) línea(s) de alimentación y por este motivo, se deben emplear cables de buena calidad y que sean lo más corto posible. No obstante, de requerir líneas de alimentación más largas, utilice un cable coaxial de “enlace físico” para aminorar tales pérdidas en las líneas.

Las antenas de repetidores deben presentar una impedancia de 50Ω en la frecuencia de trabajo vigente. Cuando se usan antenas de emisión y recepción independientes, aquéllas de banda angosta con un alto factor Q pueden servir para disminuir la interacción. No obstante, cuando se instala una sola antena con un duplexor, tiene que usar una de banda ancha con un bajo factor Q.

JAMÁS TRANSMITA SIN TENER UNA ANTENA DE TRANSMISIÓN CONECTADA EN LA CLAVIJA CORRESPONDIENTE DEL REPETIDOR.

Selección de Voltaje de la Fuente de CA

Cada repetidor viene configurado para admitir una determinada tensión de la red de CA entre 100 y 253 V CA. Tal especificación aparece indicada en una etiqueta cerca de la clavija de CA en el panel posterior del aparato. De no encontrar ninguna etiqueta o si la tensión alterna especificada no coincidiera con la de la línea local, revise la configuración de los cables dentro de la Unidad Reguladora de Conmutación del repetidor y proceda a cambiar las conexiones (y la etiqueta), si fuera necesario, de la forma que se señala en la próxima página del manual.

Modificar la tensión de alterna primaria también requiere reemplazar el fusible de la Unidad de FILTRO si cambia el voltaje de 100 V CA (100 ~ 127 V CA) a 200 V CA, o viceversa. Use un fusible de 5 amperes para 100 V de CA o si no, uno de 3 amperes para 200 V CA.

Fuente de Alimentación de CC de Reserva

Para hacer funcionar el repetidor ininterrumpidamente durante cortes de electricidad, usted puede conectar una batería recargable de 12 voltios (se recomienda una de 55 Ah o más) en el terminal “BATT” ubicado el panel posterior del VXR-7000. Mientras el repetidor esté funcionando a partir de una fuente de alterna, una pequeña corriente de carga mantiene la batería debidamente cargada. En caso de que se produjera un corte de electricidad, el circuito de control de potencia automático hará pasar instantáneamente el repetidor a la batería de reserva, evitando de este modo interrumpir el funcionamiento de dicho aparato.

Después de operar el equipo con la batería de reserva por un período de tiempo prolongado, usted debe desconectarla del VXR-7000 y recargarla separadamente antes de instalarla de nuevo, puesto que la carga de compensación no es suficiente para restituir la energía de una batería agotada por completo.

Jamás vuelva a aplicar al VXR-7000 energía eléctrica de CA teniendo una batería descargada conectada a dicho aparato, puesto que la corriente continua de arranque podría inutilizar tanto al repetidor como a la fuente de alimentación complementaria.

Cuando el repetidor funciona a partir de una batería o una fuente de alimentación de CC, necesita contar con aproximadamente 7 amperes a 12 voltios durante la transmisión.

Emplazamiento del Equipo

A pesar de que el margen de temperaturas de funcionamiento del repetidor es bastante amplia, la mejor ubicación es la que presenta una temperatura ambiente no muy cercana a ninguno de los extremos de la gama especificada y en donde además no existan variaciones fortuitas. Asegúrese de que el aire circule libremente y en forma constante alrededor del disipador térmico en la placa posterior del aparato. En aquellos lugares de clima cálido, no se debe instalar el repetidor en un cuarto pequeño y carente de ventilación.

Proteja el repetidor del viento y la lluvia, al igual que de las temperaturas o niveles de humedad extremos que puedan acortar la vida útil del equipo. Si es posible, procure emplazar el repetidor en un lugar que también sea asequible para el personal encargado del mantenimiento.

Instalación

Modificación del Puente de Conexión para la Red de CA de la Unidad del Regulador de Conmutación

Antes de intentar modificar este puente de conexión, retire el cordón tomacorriente de la clavija de CA ubicada en el panel posterior del aparato.

- ❑ Tomando la ilustración 1 como referencia, saque los 14 tornillos que sujetan las cubiertas superior e inferior del repetidor y retírelas del aparato.
- ❑ Saque los ocho tornillos que sostienen la cubierta del blindaje para la Unidad del FILTRO y retírela posteriormente del equipo (refiérase a la Ilustración 1).
- ❑ Después de desconectar todos los alambres y conectores de la Unidad de FILTRO, saque los seis tornillos que sujetan la Unidad del Regulador de Conmutación y retírela del equipo (la Unidad Reguladora de Conmutación viene montada junto con la Unidad de FILTRO: Ilustración 2).
- ❑ Tomando ahora la Ilustración 3 como referencia, saque los cuatro tornillos y remueva el disipador térmico de la Unidad del Regulador de Conmutación.

- ❑ Posteriormente, refiérase a la Ilustración 4 y realice la distribución correcta de los cables del puente de conexión en la Unidad del Regulador de Conmutación para el voltaje de la red de CA que se utiliza en su localidad (100-127 V CA ó 207-253 V CA).
- ❑ Vuelva a colocar el disipador térmico en la Unidad del Regulador de Conmutación, reinstale a continuación la referida unidad en el chasis del aparato y termine por enlazar todos los alambres y conectores en la unidad de FILTRO del aparato.
- ❑ Cambie el fusible de CA (**FH6001**) en la Unidad de Filtro de acuerdo con la gama de tensiones de la red:
 - 100 V CA (100-127 V CA): 5 A
 - 200 V CA (207-253 V CA): 3A
- ❑ Finalmente vuelva a colocar la cubierta del blindaje al igual que las tapas superior e inferior del equipo. Con esto se da por concluido el proceso de redistribución de los cables en el sistema.

¡Importante! Si desea modificar la gama de tensiones de CA, debe reemplazar también el fusible en la Unidad de FILTRO. No cambie ese fusible por uno de fusión lenta.

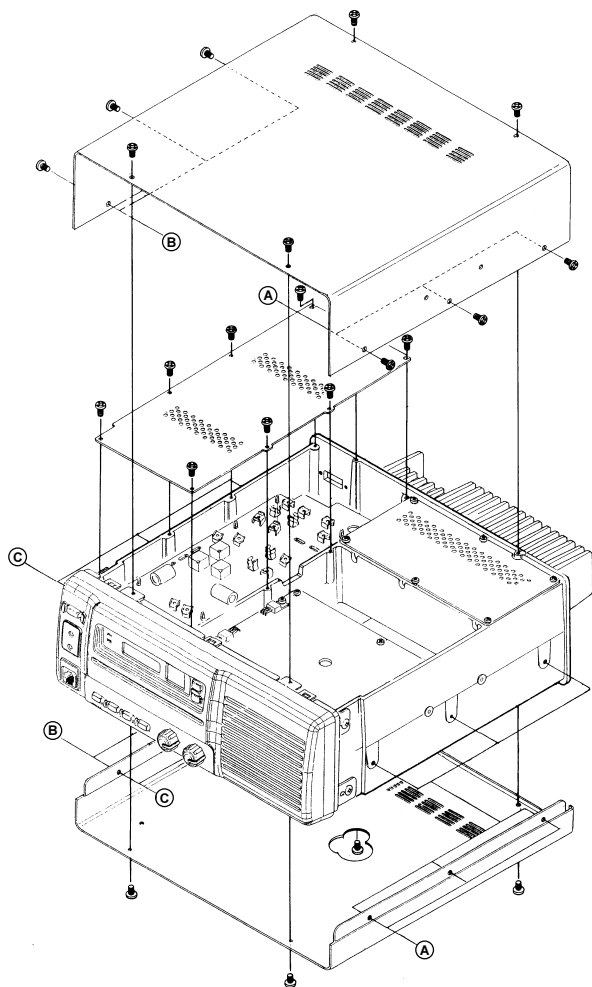


Ilustración 1

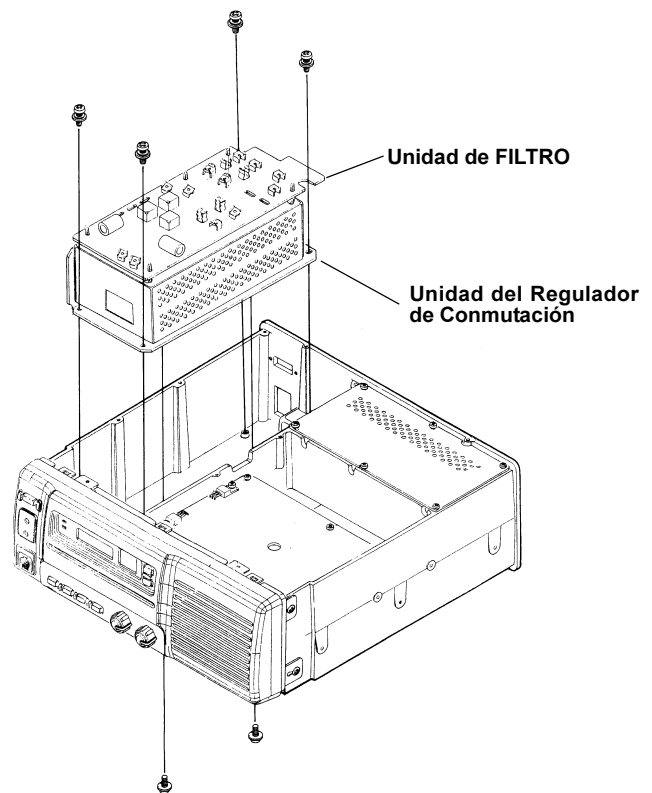


Ilustración 2

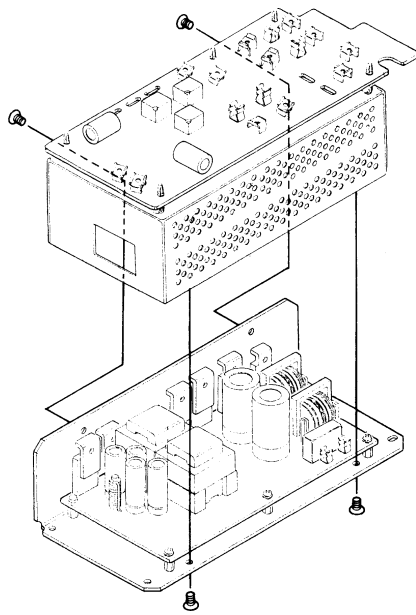


Ilustración 3

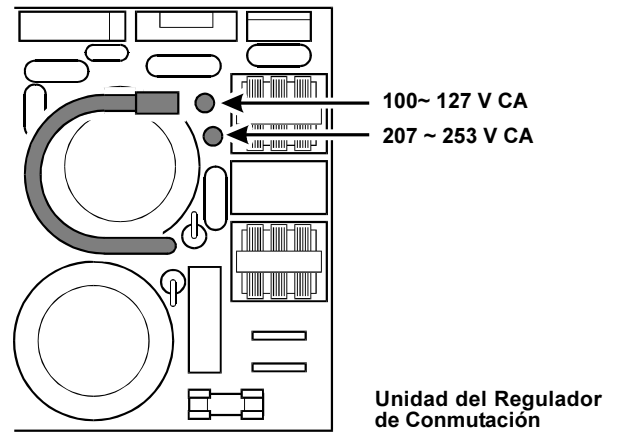


Ilustración 4

Instrucciones del Programa de Computación CE27

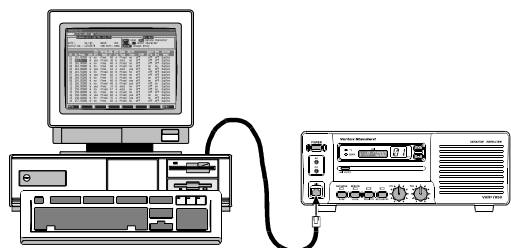
Con el Programa de Computación CE27 el usuario puede configurar en forma rápida y efectiva los canales al igual que las diferentes funciones del repetidor Vertex Standard VXR-7000 con la ayuda de un computador personal. En caso de una pérdida accidental de memoria, es posible volver a introducir los datos relativos a la configuración y a los registros del repetidor en un par de minutos.

El diskette del Programa de Computación CE27 contiene los siguientes archivos:

- CE27.EXE
- CE27.HLP

Antes de conectar el VXR-7000 y realizar la programación, apague el computador al igual que el referido repetidor. A continuación, proceda a insertar el Interfaz FIF-10A+CT-104 (o FIF-12+CT-117) en el puerto USB del computador y el conector MIC del repetidor, respectivamente.

En ese entonces es posible reiniciar el computador sin ningún peligro; el hecho de apagar el equipo durante la interconexión evita que se dañen los componentes electrónicos por causa de puntas de tensión.



Instalación del Programa en el VXR-7000

Inserte el diskette de distribución en la unidad de disco de 3-1/2" (después de haber cargado el sistema DOS en la memoria) y haga una copia del mismo; conserve el diskette de distribución como archivo y use la copia para llevar a cabo la programación.

Inserte el diskette CE27 (copia) en la unidad de 3-1/2" (generalmente la "Unidad de Disco A") y marque "A [INGRESAR]" para iniciar el registro en la referida ranura y cargar por consiguiente los contenidos del diskette en el directorio denominado CE27, utilizando la señal de mando de "DUPLICACIÓN" (es decir, "COPY A:.* C:\CE27").

En esta etapa marque "CE27 [INGRESAR]" con el teclado para dar inicio al programa. Cuando aparezca la pantalla introductoria, oprima cualquiera de las teclas a fin de ingresar a la pantalla principal.

Cuando necesite orientación para configurar los canales o definir los parámetros del repetidor, seleccione la opción "Help" [Ayuda] en el Menú del programa.

¡Nota Importante!!

- No intente empezar el software CE27 directamente del disquete original. Haga una copia del programa al disco duro de su computadora, y empiece el programa desde allí. Mantenga el disquete original en un lugar seguro en el caso que tenga que hacer otra copia en el futuro.
- Antes de programar el VXR-7000, via la programación CE27, lea la información del repetidor primero utilizando la tecla [F5] [ReadRom]. Utilice estos parámetros para programar este repetidor.

MS-DOS - CE27

EEPROM DATA EDITOR <CE-27> KEY HELP

Edit: noname.rpt Band: VHF 0..9 Input Frequency
Serial No.: 12345678 COM Port: COM1 [.] Enter 100kHz Digit...

Ch	Rx Freq.	Decoders		W/N	Clk Sft	Mode	NSQ Lv	Court Blip	Rev Bst	DCS Typ	DDec Type	Multi Tone	CWID ANI/ENI
		CTCSS	DCS										
01	161.00000	88.5	off	W	no	Prpgrm	...	off	off	A	Fixed	no	off
02	161.05000	100.0	off	W	no	Prpgrm	...	off	off	A	Fixed	no	off
03	161.01000	off	023	W	no	Prpgrm	...	on	off	A	Fixed	no	off
04	161.01500	off	155	W	yes	Prpgrm	...	off	off	A	Fixed	no	off
05	161.02000	off	155	W	no	Prpgrm	...	off	off	B	Fixed	no	off
06	161.02500	88.5	off	W	no	Prpgrm	...	off	off	A	Fixed	no	off
07	161.03000	114.8	off	W	no	Prpgrm	...	on	on	A	Fixed	no	off
08	161.03500	off	351	W	no	Prpgrm	...	off	off	A	Fixed	no	off
09	161.04000	off	506	W	no	Prpgrm	...	off	off	A	Fixed	no	off
10	161.04500	off	off	W	no	Prpgrm	...	off	off	A	Fixed	no	off
11	161.05000	100.0	off	W	no	Prpgrm	...	on	on	A	Fixed	no	off
12	161.05500	88.5	off	W	no	Prpgrm	...	off	off	A	Fixed	no	off
13	161.06000	103.5	off	W	no	Prpgrm	...	off	off	A	Fixed	no	off
14	161.06500	off	off	W	yes	Prpgrm	...	off	off	A	Fixed	no	off
15	161.07000	79.7	off	W	no	Prpgrm	...	on	off	A	Fixed	no	off
16	161.07500	off	off	W	no	User	127	off	on	A	Fixed	no	off

1Help 2Common 3DiskLoad 4DiskSave 5Read ROM 6WriteROM 7PrintOut 8Quit

Pantalla Principal del CE-27 (Izquierda)

Instrucciones del Programa de Computación CE27

Registro de Datos Relativos a los Canales

Ch: Número de Canal

Este número de 2 dígitos (01 - 16) se utiliza para identificar el canal. Los números de canales se suceden en el orden normal y en este caso no es posible alterar la disposición de los mismos.

Rx Freq.: Edición de la Frecuencia de Recepción (o simplex)

Utilice las teclas del [0] al [9] para registrar directamente la frecuencia del canal de tráfico que desea utilizar y oprima [INGRESAR] a continuación con el objeto de concluir este paso.

Decodificadores CTCSS: Alterna entre los estados de Conexión y Desconexión del Decodificador CTCSS, define la Frecuencia CTCSS en el repetidor

Oprima la barra [ESPACIADORA] para alternar entre los estados de Conexión y Desconexión del Decodificador CTCSS o si prefiere, presione [INGRESAR] a fin de exhibir la ventana de "SELECCIÓN DE TONOS," la cual le permite escoger una de las frecuencias CTCSS con la [FLECHA] del teclado; vuelva a oprimir [INGRESAR] una vez más para aceptar el tono seleccionado o en su defecto, accione [Esc] para cancelar esta operación.

Tone	Select	71	74
67.0	69.3	71.0	74.4
67.7	69.7	71.0	74.4
68.8	69.7	71.0	74.4
100.0	91.5	107.4	99.4
114.0	101.5	123.7	117.0
123.0	118.0	141.3	127.0
131.0	126.0	146.2	146.2
151.0	136.0	162.2	162.2
173.0	147.0	186.2	192.0
203.0	170.0	218.0	225.0
233.0	210.0	250.0	255.0
183.0	189.0	196.0	199.0
206.0	229.0	254.0	199.0

Decodificadores DCS: Alterna entre los estados de Conexión y Desconexión del Decodificador DCS, define el # de Código DCS en el repetidor

Oprima la barra [ESPACIADORA] para alternar entre los estados de Conexión y Desconexión del Decodificador DCS o si prefiere, presione [INGRESAR] a fin de exhibir la ventana de "SELECCIÓN DE CÓDIGOS" en la pantalla, a partir de la cual es posible escoger uno de los códigos DCS con la [FLECHA] del teclado. Finalmente presione [INGRESAR] una vez más para aceptar el código seleccionado o en su defecto, accione la tecla [Esc] para cancelar esta operación.

Code	Select	031	032	036	043	047
023	025	026	031	032	043	047
051	053	054	055	071	072	074
114	115	116	122	125	131	134
143	145	152	155	162	165	172
174	200	212	213	220	243	244
245	246	251	253	256	263	245
266	271	274	306	311	315	325
332	343	346	351	356	364	331
411	412	413	423	431	432	445
452	454	455	462	464	465	466
506	516	523	526	532	546	566
612	624	627	631	632	654	662
703	712	723	731	732	734	743

WIN: Espaciamiento Amplio y Angosto de Canales

Mediante esta función es posible seleccionar el espaciamiento entre canales en el que el VXR-7000 puede operar.

W (Ancho) = Espaciamiento de Canales de 25 kHz, Desviación de ± 5 kHz.

N (Angosto) = Espaciamiento de Canales de 12.5 kHz, Desviación de ± 2.5 kHz.

Oprima la barra [ESPACIADORA] para seleccionar el espaciamiento entre canales que desea utilizar.

Ch	Action Mode	Tx Freq.	Encoders CTCSS	Encoders DCS	Base	Base TOT	Guard	LOU	TX Pwr	TOT Mute	Rpt Use	Rpt Beep	Rpt HT	Rpt GT
01	Duplex	161.50000	88.5	off	no	no	off	Hi	off	no	no	no	no	no
02	Duplex	161.55000	100.0	off	no	no	off	Hi	off	no	no	no	no	no
03	Duplex	161.60000	off	023	no	no	BTLO	Lo	off	no	no	no	no	no
04	Duplex	161.65000	off	155	no	no	BTLO	Lo	off	no	no	no	no	no
05	Duplex	161.70000	off	155	no	no	off	Hi	off	no	no	no	no	no
06	Duplex	161.75000	88.5	off	no	no	off	Hi	off	no	no	no	no	no
07	Duplex	161.80000	114.8	off	no	no	off	Hi	off	no	no	no	no	no
08	Duplex	161.85000	off	351	no	no	off	Hi	off	no	no	no	no	no
09	Duplex	161.90000	off	506	no	no	off	Hi	off	no	no	no	no	no
10	Duplex	161.95000	off	off	no	no	BCL0	Hi	off	no	no	no	no	no
11	Duplex	162.00000	100.0	off	no	no	off	Hi	off	no	no	no	no	no
12	Duplex	162.05000	88.5	off	no	no	off	Hi	off	no	no	no	no	no
13	Duplex	162.10000	103.5	off	no	no	off	Hi	off	no	no	no	no	no
14	Duplex	162.15000	off	off	no	no	off	Hi	off	no	no	no	no	no
15	Duplex	162.20000	79.7	off	no	no	off	Hi	off	no	no	no	no	no
16	Duplex	162.25000	off	off	yes	yes	BCL0	Hi	on	yes	yes	yes	yes	yes

CE-27 Main Screen (Scrolled Right)

CE27 Programming Software Instruction

Clk Sft: *Habilita e Inhabilita la Conmutación del Reloj de la Unidad de Procesamiento Central o "CPU".*

Esta función se usa solamente para desplazar el "silbido" de una respuesta espuria en caso de que éste cayera en la frecuencia de trabajo deseada.

Modo "NSQ": Modo de Silenciamiento por Ruido

Este modo de ajuste de mando define el nivel umbral para el Circuito de Silenciamiento del repetidor.

User (Fijo) = El nivel umbral del circuito reductor de ruidos se define mediante un parámetro programable del menú (**NSQ Lv:** 0 [mín.] ~ 255 [máx.]).

Prpgrm (Libre) = EL nivel umbral del referido circuito se puede ajustar temporalmente con la perilla **SQL** ubicada en el panel frontal del aparato.

Oprima finalmente la barra [**ESPACIADORA**] con el objeto de seleccionar el modo "NSQ" que desea emplear.

NSQ LV: *Nivel Umbral de Silenciamiento por Ruido*

Emplee las teclas del [0] al [9] para registrar directamente el nivel umbral en el circuito reductor de ruidos y oprima [**INGRESAR**] a continuación. Éste es un valor de ajuste arbitrario, el cual debe ser programado en forma experimental. Los valores que el usuario tiene a su disposición van de 0 (mín.) a 255 (como máximo).

Court Blip: *"Blip" de Cortesía*

Cuando dicho parámetro se encuentra habilitado, esta función hace que el VXR-7000 genere un "blip" en la frecuencia del radio portátil cada vez que no se manipule dicho aparato. Lo anterior constituye una confirmación audible de que el VXR-7000 fue capaz de recibir la transmisión proveniente del aparato portátil.

Rev Bst: *Ráfaga Inversa*

Cuando este parámetro se encuentra "habilitado", se invierte la fase de la señal de tono CTCSS justo antes de que el repetidor se cambie para recibir. Esto permite que el Decodificador CTCSS de la estación portátil o móvil inicie la apertura del circuito, reduciendo de este modo el tiempo de transición que se requiere para este fin.

DCS Typ: *Formato DCS*

Esta señal de mando es efectiva sólo cuando el Sistema por Código Digital "DCS" ha sido escogido para controlar el mecanismo de silenciamiento en el equipo.

A = DCS "Normal"

B = DCS "Inverso" (complemento)

Oprima la barra [**ESPACIADORA**] con el objeto de seleccionar el Tipo de decodificación DCS que desea emplear.

DDec Type: *Tipo de Decodificación DCS*

Esta señal de mando se utiliza para escoger la forma en que el Silenciamiento por Código Digital ha de ser decodificado.

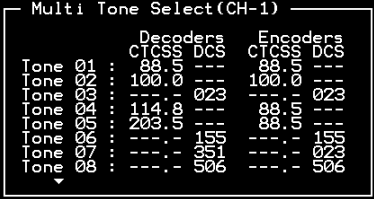
Fixed (Fijo) = Decodifica el tipo seleccionado en el parámetro anterior ("**DCS Typ**": Normal o Inverso).

Auto (Automático) = Decodifica ambos tipos (Normal e Inverso).

Oprima la barra [**ESPACIADORA**] con el propósito de seleccionar el Modo de Decodificación DCS que desea emplear.

Multi Tone: *Habilita e Inhabilita la Selección Múltiple de Tonos*

Oprima la barra [**ESPACIADORA**] para Habilitar e Inhabilitar la referida función o si prefiere, oprima [**INGRESAR**] con el objeto de desplegar la ventana de "**SELECCIÓN MÚLTIPLE DE TONOS**," a partir de la cual es posible escoger con la [**FLECHA**] del teclado un tono CTCSS o uno de los códigos DCS disponibles en el sistema. Finalmente presione [**INGRESAR**] una vez más para aceptar el código seleccionado o si no, oprima la tecla [**Esc**] para cancelar esta operación.



Multi Tone Select (CH-1)					
		Decoders		Encoders	
		CTCSS	DCS	CTCSS	DCS
Tone 01	:	88.5	---	88.5	---
Tone 02	:	100.0	---	100.0	---
Tone 03	:	---	023	---	023
Tone 04	:	114.0	---	---	---
Tone 05	:	203.0	---	88.5	---
Tone 06	:	---	155	---	155
Tone 07	:	---	351	---	023
Tone 08	:	---	506	---	506

CWID ANI/ENI: *Selección del modo de Identificación*

Oprima la barra [**ESPACIADORA**] para alternar entre el Identificador en Morse "**CW ID**", la función "**ANI/ENI**" o la Desconexión (OFF) de ambos modos. La función "**ANI/ENI**" y el Identificador en Morse deben ser programados por el distribuidor.

Modo de Accionamiento: *Selecciona el modo de operación del repetidor*

Presione la barra [**ESPACIADORA**] con el objeto de alternar entre el modo Símples y Dúplex en el repetidor.

Tx Freq.: *Edición de la Frecuencia de Transmisión*

Utilice las teclas del [0] al [9] para registrar directamente la frecuencia del canal de tráfico que desea y oprima [**INGRESAR**] a continuación con el objeto de concluir este paso.

Codificadores CTCSS: *Alternar entre los estados de Conexión y Desconexión del Codificador DCS, define la frecuencia CTCSS del repetidor*

Oprima la barra [ESPACIADORA] para alternar entre los estados de Conexión y Desconexión del Codificador CTCSS o si prefiere, presione [INGRESAR] a fin de exhibir la ventana de **•SELECCIÓN DE TONOS•** en la pantalla, a partir de la cual es posible escoger con la [FLECHA] del teclado cualquiera de los tonos CTCSS disponibles en el sistema. Finalmente presione [INGRESAR] una vez más para aceptar el tono seleccionado o en su defecto, accione la tecla [Esc] para cancelar esta operación.

Tone	Select	Tone	Select
67.0	69.3	71.0	74.4
77.0	79.7	82.0	85.4
88.0	91.5	94.0	97.4
100.0	103.5	107.0	110.5
114.0	117.7	121.0	124.7
131.0	133.9	139.0	143.9
147.0	150.3	157.0	161.3
173.0	178.7	187.0	192.7
203.0	210.3	218.0	225.3
233.0	241.0	250.0	259.0
283.0	289.9	296.0	305.0
306.0	329.1	354.0	361.0

Codificadores DCS: *Alternar entre los estados de Conexión y Desconexión del Codificador DCS, define el # de Código DCS en el repetidor*

Oprima la barra [ESPACIADORA] para alternar entre los estados de Conexión y Desconexión del Codificador DCS o si prefiere, presione [INGRESAR] a fin de exhibir la ventana de **•SELECCIÓN DE CÓDIGOS•** en la pantalla, a partir de la cual es posible escoger con la [FLECHA] del teclado cualquiera de los códigos DCS disponibles en el sistema. Finalmente presione [INGRESAR] una vez más para aceptar el código seleccionado o en su defecto, accione la tecla [Esc] para cancelar esta operación.

Code	Select	Code	Select
06	06	09	09
07	07	10	10
08	08	11	11
09	09	12	12
10	10	13	13
11	11	14	14
12	12	15	15
13	13	16	16
14	14	17	17
15	15	18	18
16	16	19	19
17	17	20	20
18	18	21	21
19	19	22	22
20	20	23	23
21	21	24	24
22	22	25	25
23	23	26	26
24	24	27	27
25	25	28	28
26	26	29	29
27	27	30	30
28	28	31	31
29	29	32	32
30	30	33	33
31	31	34	34
32	32	35	35
33	33	36	36
34	34	37	37
35	35	38	38
36	36	39	39
37	37	40	40
38	38	41	41
39	39	42	42
40	40	43	43
41	41	44	44
42	42	45	45
43	43	46	46
44	44	47	47
45	45	48	48
46	46	49	49
47	47	50	50
48	48	51	51
49	49	52	52
50	50	53	53
51	51	54	54
52	52	55	55
53	53	56	56
54	54	57	57
55	55	58	58
56	56	59	59
57	57	60	60
58	58	61	61
59	59	62	62
60	60	63	63

Base TOT: *Habilita e Inhabilita el Temporizador de Intervalos de Transmisión al funcionar como estación "BASE"*

Oprima la barra [ESPACIADORA] con el objeto de alternar entre la Conexión y Desconexión del Temporizador de Intervalos de Transmisión cuando funciona como estación Base. El intervalo del temporizador se define mediante la programación que realiza el distribuidor.

Vigilancia Base: *Habilita e Inhabilita el mecanismo de Vigilancia en el modo de Base*

Cuando este parámetro se encuentra habilitado, el transmisor se inhibe por un par de segundos antes de que el repetidor se cambie para recibir (al funcionar como estación "BASE"). El tiempo de inhibición se define mediante la programación que realiza el distribuidor.

LOUT: *Selección de la Función de Bloqueo para Canal Ocupado*

Oprima la barra [ESPACIADORA] con el objeto de alternar la Función de Bloqueo entre los modos "BCLO," "BTLO" o la desconexión ("off") de am-

bos. En el modo "BCLO" se inhiben las transmisiones mientras exista una portadora presente. En el modo "BTLO" se inhiben las transmisiones mientras exista una portadora presente, pero con la condición de que haya también un tono válido; lo anterior le permite al operador responder a una estación controlada mediante tono al mismo tiempo que mantiene el control de "Bloqueo" con respecto a las señales que no son controladas mediante tono.

TX Pwr: *Selección de la Salida de Potencia de Transmisión*
Mediante este parámetro es posible seleccionar la salida de potencia deseada proveniente del VXR-7000 en el canal vigente. El usuario puede escoger entre los niveles de potencia "ALTO" y "BAJO." Oprima la barra [ESPACIADORA] para escoger uno de estos niveles ("ALTO" o "BAJO") en el repetidor.

TOT Mute: *Habilita e Inhabilita el sonido del Temporizador de Intervalos de Transmisión*
Cuando este parámetro se encuentra habilitado, el repetidor emite un sonido de alerta antes de realizar la desconexión del mismo.

RptTOT Use: *Habilita e Inhabilita el Temporizador de Intervalos de Transmisión cuando funciona como repetidor*
Oprima la barra [ESPACIADORA] para habilitar e inhabilitar la función TOT en el Repetidor. El intervalo TOT se define mediante la programación que realiza el distribuidor.

RptTOT Beep: *Habilita e Inhabilita el sonido TOT*
Oprima la barra [ESPACIADORA] para habilitar e inhabilitar el sonido TOT. Cuando este parámetro se encuentra habilitado, el repetidor emite un sonido de alerta antes de realizar la desconexión del mismo.

RPT HT: *Habilita e Inhabilita el Temporizador de Conmutación*
Oprima la barra [ESPACIADORA] para habilitar e inhabilitar el Temporizador de Conmutación del Repetidor. Cuando este parámetro se encuentra habilitado, el repetidor emite un sonido de alerta antes de realizar la desconexión del mismo. El tiempo de conmutación se define mediante la programación que realiza el distribuidor.

RPT GT: *Habilita e Inhabilita el mecanismo de Vigilancia del Repetidor*
Cuando este parámetro se encuentra habilitado, el transmisor se inhibe por un par de segundos antes de que el repetidor se cambie para recibir. El tiempo de inhibición se determina mediante la programación que realiza el distribuidor.

Instalación del Duplexor

Nota Importante !

Este seguro de observar y cumpla con las especificaciones de la separación de frecuencia y máxima potencia en transmisión para el duplexor que tenga conectado con el VXR-7000, particularmente utilizando el VXD-40xx duplexor interno. Utilizando el VXD-40xx, la separación de frecuencia debe ser 5 MHz (mínima) a 10 MHz (máxima), y la máxima potencia en transmisión permitida es 40 Vatios.

En el caso que la potencia sea muy alta para la capacidad del duplexor, puede reducir la potencia del transmisor siguiendo los siguientes pasos :

1. Conecte un wattmetro al conector de TX del VXR-7000 y a una carga fantasma (el duplexor no debe estar conectado). Conecte el microfono al conector **MIC** y asegure el boton **BASE/REPEATER** en la posición "**BASE**". Seleccione el canal 1 para alineación.
2. Oprima y detenga el boton **ACCESSORY** por dos segundos para entrar al modo de ajuste. El número de canal empezará a parpadear.
3. Oprima y detenga el PTT del microfono. La pantalla le indicará "Po" en transmisión. Observe la potencia en el wattmetro.
4. Oprima los botones ▲ (UP: incrementar) o ▼ (Down: disminuir) [al lado derecho de la pantalla] para ajustar la potencia a 40 vatios (o menos) mientras tenga oprimido el PTT del microfono.
5. En cuanto tenga el nivel de potencia requerida, suelte el PTT. Ahora oprima y detenga el boton **ACCESSORY** por 2 segundos para grabar el nuevo parametro y regresar a operación normal.
6. Repita los pasos 2. al 5. para cualquier otros canales (2 al 16) si lo está utilizando.
7. Pruebe cada canal en el modo de operación normal y confirme la potencia. Ahora puede desconectar todo equipo de prueba.
8. Ahora puede instalar el duplexor.

El procedimiento mencionado debe ser hecho por su distribuidor Vertex Standard autorizado o un tecnico capacitado para obtener una calibración correcta. Por favor consulte con su distribuidor Vertex Standard autorizado para asistencia en obteniendo un duplexor adecuado.

Instalación

1. Saque primero los 14 tornillos que sujetan la cubierta superior e inferior del repetidor y retírelas del equipo (Ilustración 1).
2. Coloque el repetidor al revés.
3. Tomando la Ilustración 2 como referencia, saque los dos primeros tornillos ubicados a cada lado del panel frontal y luego, suelte los dos de abajo de modo de poder deslizar dicho panel ligeramente hacia adelante.
4. Retire los cables coaxiales conectados en los enchufes para antena de TX y RX del repetidor.
5. Instale el duplexor, en el compartimento que se encuentra en el lado de abajo del repetidor, utilizando los cuatro (4) tornillos y cable de antena, los cuales se podrán encontrar en el "**CT-68**" (Ilustración 3). Algunos duplexores no se montan directamente en el chasis del repetidor. En este caso, utilice la montadura facilitada con el "**CT-68**" (Ilustración 4).
6. Conecte el Cable de Antena alternativo "**CT-68**" entre el enchufe de antena de TX del repetidor y el conector (central) para "ANT" perteneciente al duplexor.
7. Si la relación entre las frecuencias de Tx y Rx del repetidor fuera del tipo de "conmutación superior" ($TXf > RXf$), conecte el cable coaxil perteneciente a la Unidad de RX en el enchufe PASABAJOS del duplexor, y el cable coaxil de la Unidad Amplificadora de Potencia en el enchufe PASAALTO del referido dispositivo acoplador.
Si la relación entre las frecuencias de Tx y Rx del repetidor fuera del tipo de "conmutación inferior" ($TXf < RXf$), conecte el cable coaxil perteneciente a la Unidad de RX en el enchufe PASAALTO del duplexor y el cable coaxil de la Unidad Amplificadora de Potencia en el enchufe PASABAJOS del referido dispositivo acoplador.
Nota: Guíe el cable coaxil de TX de la Unidad Amplificadora de Potencia lo más lejos posible del cable coaxil de RX proveniente de la Unidad de RX.
8. De esta forma se da por concluida la instalación del duplexor. Vuelva a colocar el panel frontal en su lugar, junto con las cubiertas superior e inferior del equipo.

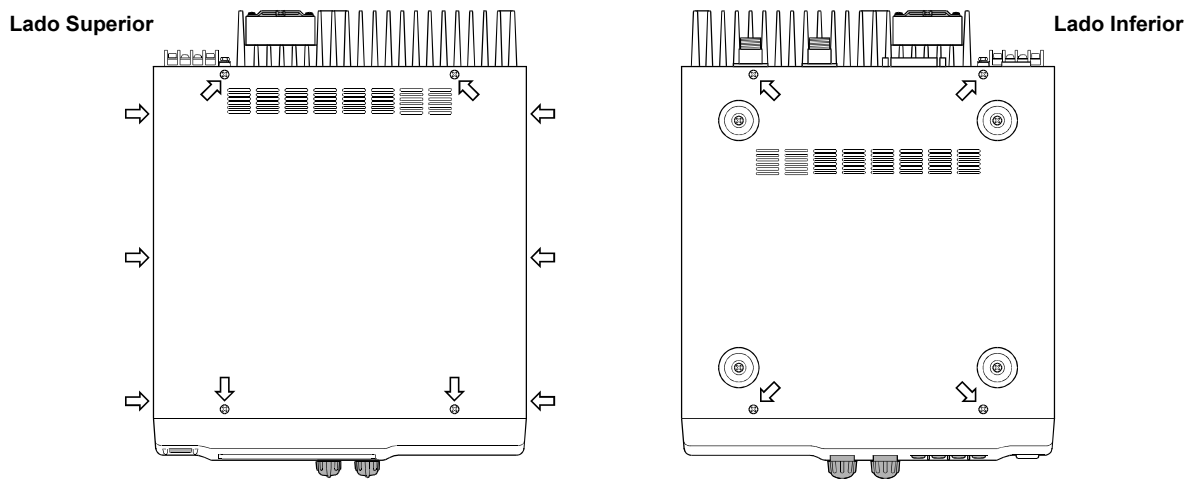


Ilustración 1

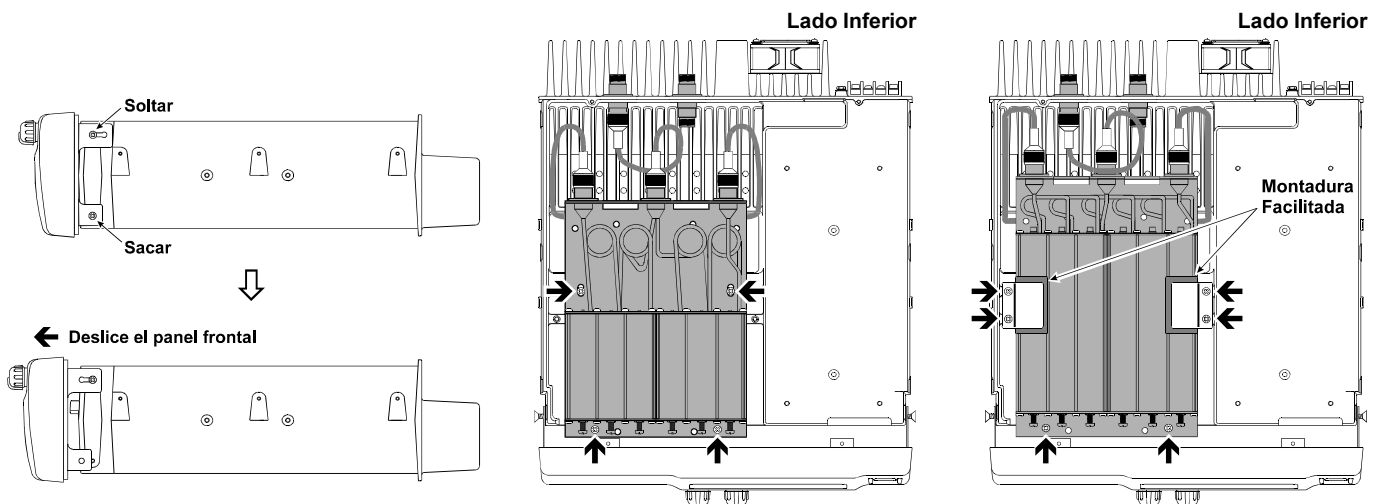


Ilustración 2

Ilustración 3

Ilustración 4

Especificaciones Técnicas y Accesorios

Especificaciones Técnicas

Características Generales

Gama de Frecuencias:	VXR-7000v	136 ~ 150 MHz (A) ó 150 ~ 174 MHz (C)
	VXR-7000u	400 ~ 430 MHz (A), 450 ~ 480 MHz (D) ó 480 ~ 512 MHz (F)
Número de Canales:		16
Espaciamiento entre Canales:		12.5/25 kHz
Estabilidad de Frecuencias:	VXR-7000v	±2.5 ppm
	VXR-7000u	±1.5 ppm
Impedancia de Antena:		50 Ω (Tipo N)
Sistema de Accionamiento de Tx:		Accionado por portadora, mediante tono CTCSS, mediante código DCS o por control remoto
Potencia Necesaria:		115/230 V CA ±10%, 50/60 Hz ó 13.8 V CC
Margen de Temperaturas de funcionamiento:		-10 °C ~ +60 °C
Dimensiones (sin perillas):		325 x 115 x 391,5 mm (12,8 x 4,5 x 15,4 pulgadas)
Peso (aproximado):		10 kg. (22 lbs.)

Receptor

Tipo de Receptor:		Superheterodino de doble conversión
Sensibilidad:	VXR-7000v	0.25 µV para SINAD de 12 dB, 0.35 µV para NQ de 20 dB
	VXR-7000u	0.3 µV para SINAD de 12 dB, 0.4 µV para NQ de 20 dB
Selectividad:		80 dB
Intermodulación:	VXR-7000v	80 dB
	VXR-7000u	85 dB
Rechazo de Frecuencia Imagen y de Espurias:	VXR-7000v	95 dB
	VXR-7000u	85 dB
Salida de Audio:		4 W @ 4 Ω

Transmisor

Salida de RF:		10 ~ 50 W (Ajustable)
Factor de Trabajo:		100 %
Desviación Máxima:		±5.0 kHz (espaciamiento de 25 kHz)
		±2.5 kHz (espaciamiento de 12.5 kHz)
Tipo de Modulación:		16K0F3E/11K0F3E
Distorsión de Audio:		Inferior a 2.5 % @ 1 kHz
Emisión de Espurias:	VXR-7000v	Mejor que 80 dB por debajo de la portadora
	VXR-7000u	Mejor que 75 dB por debajo de la portadora

Estas especificaciones están sujetas a cambio sin previo aviso ni compromiso por parte de la compañía

Accesorios

Incluidos

Artículo	Cantidad
Cordón de CA (T9013282)	1
Fusible de CA de Repuesto de 5A (Q0000005)	1
Fusible de CC de Repuesto de 20A (Q0000007)	1

Alternativos

Micrófono de Mesa	MD-12A8J
Cable de Antena con tornillo (para el Duplexor)	CT-68
Interfaz	FIF-10A
Interfaz	FIF-12
Cable de Programación (para FIF-10A)	CT-104A
Cable de Programación (para FIF-12)	CT-171
Unidad de Montura de Gabinete de 19"	MR-3

Esta equipo cumple con todas las disposiciones de la Sección 15 del Reglamento de la Comisión Federal de Comunicaciones "FCC" y se puede utilizar mientras no cause ningún tipo de interferencia perjudicial a otras estaciones.

This device complies with Part 15 of the FCC rules.
Operation is subject to the condition that this device does not cause harmful interference.



Copyright 2012
Vertex Standard LMR, Inc.
All right reserved.

No portion of this manual
may be reproduced
without the permission of
Vertex Standard LMR, Inc.



E 1 3 6 7 7 5 0 5

Printed in Japan